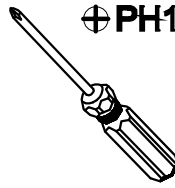
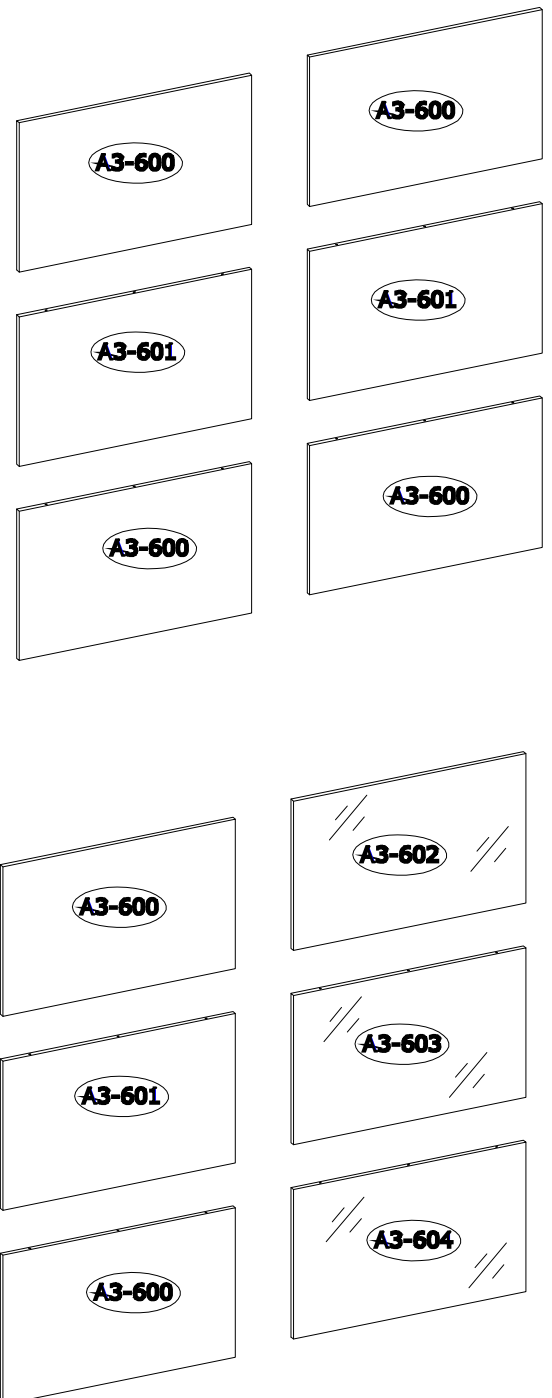
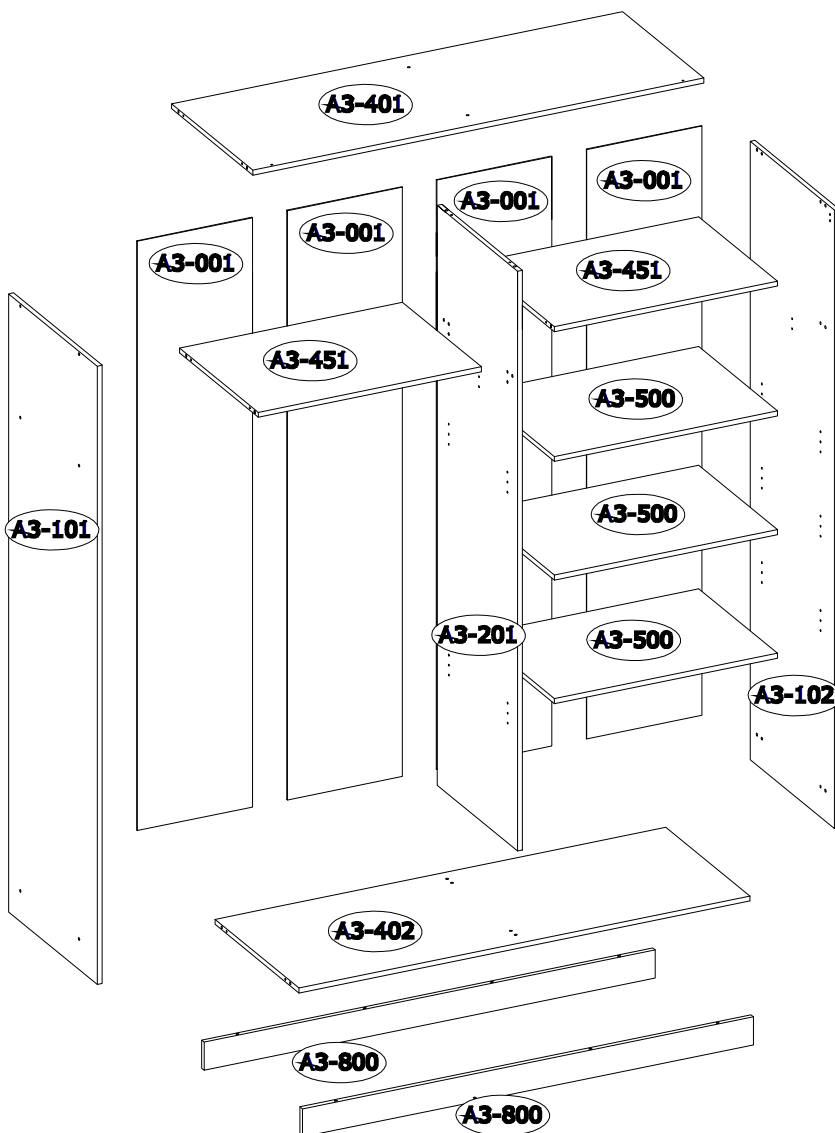
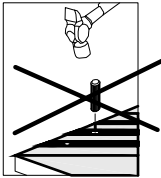
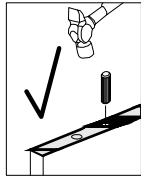
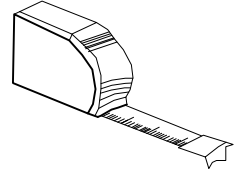
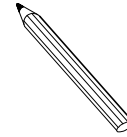
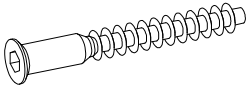
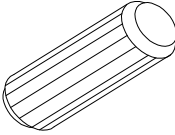
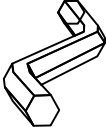
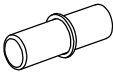
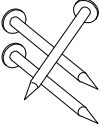
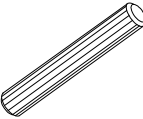
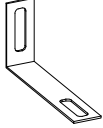
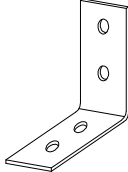
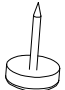
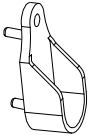




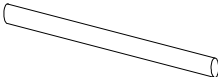
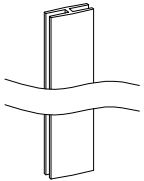
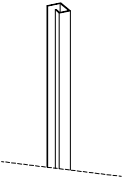
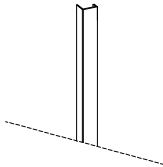
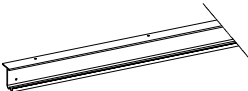
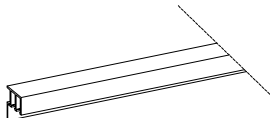


⊕PH2

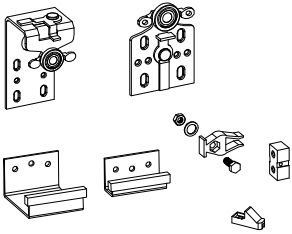


⊕PH1

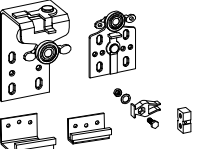


<b>3884</b>  <b>x20</b>	<b>3989</b>  <b>∅8x30mm x28</b>	<b>3984</b>  <b>4mm x1</b>	<b>4017</b>  <b>x12</b>
<b>3975</b>  <b>x78</b>	<b>142484</b>  <b>∅6x35 mm x12</b>	<b>71900</b>  <b>x2</b>	<b>3981</b>  <b>x4</b>
<b>70313</b>  <b>x8</b>	<b>4069</b>  <b>x2</b>	<b>3918</b>  <b>∅3,5x16mm x59</b>	<b>3912</b>  <b>∅3,0x13mm x34</b>
<b>142717</b>  <b>x20</b>	<b>3920</b>  <b>∅3,5x25mm x4</b>	<b>3672</b>  <b>L- 971mm x1</b>	<b>IN00378</b>  <b>L- 1940 mm x2</b>
<b>89727</b>  <b>L-1989 mm x2</b>	<b>89726</b>  <b>L-1989 mm x2</b>	<b>83709</b>  <b>L-1968mm x1</b>	<b>83711</b>  <b>L-1968mm x1</b>

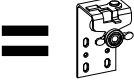
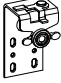



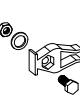


**82262** **x1**



(AKCES-2D)



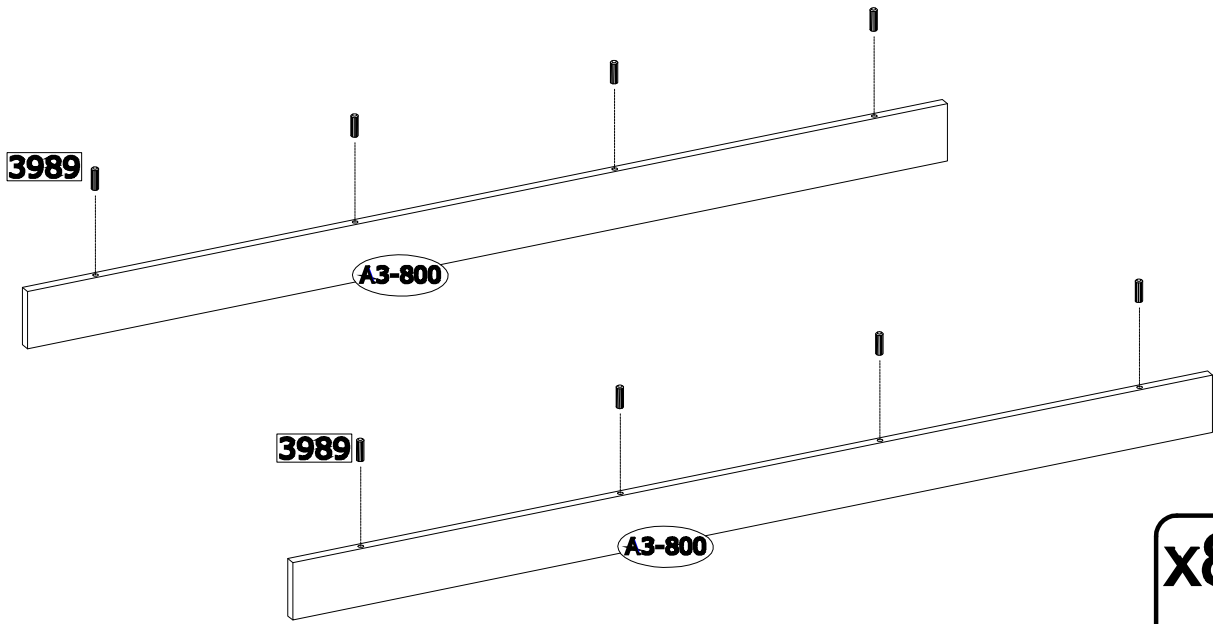
**82262**

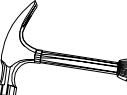

 =
 
 +
 
 +
 
 +
 
 +
 
 +
 
 +
 

**82262(1)** **82262(2)** **82262(3)** **82262(4)** **82262(5)** **82262(5)** **82262(6)**

# 1.

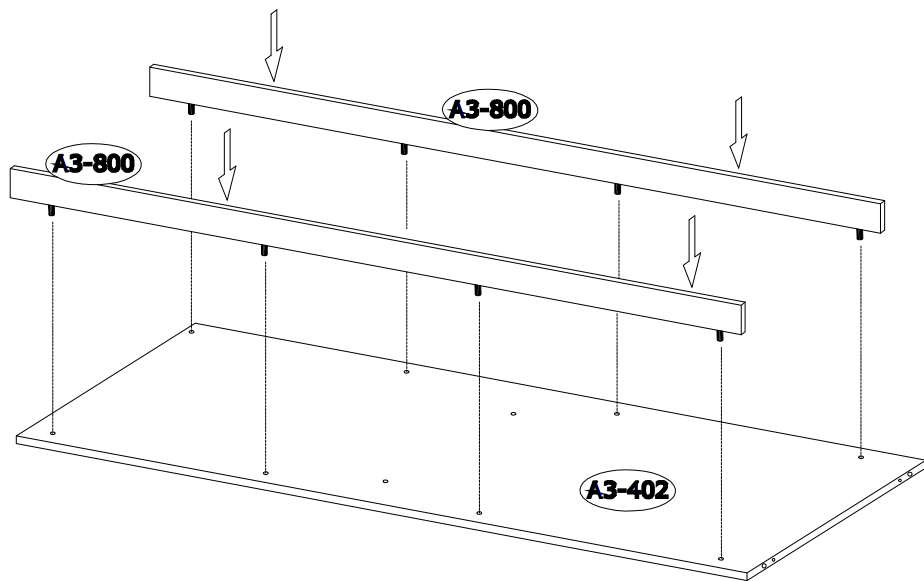
 <p><b>3989</b> x8</p>		
--	--	--



<p><b>x8</b></p>  <p><b>3989</b></p>
---

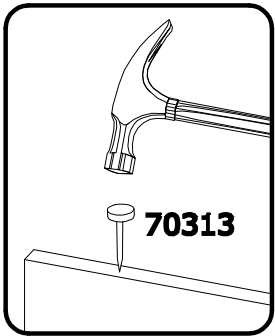
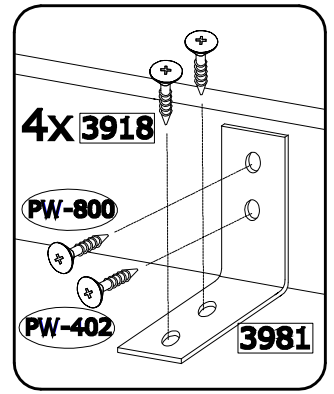
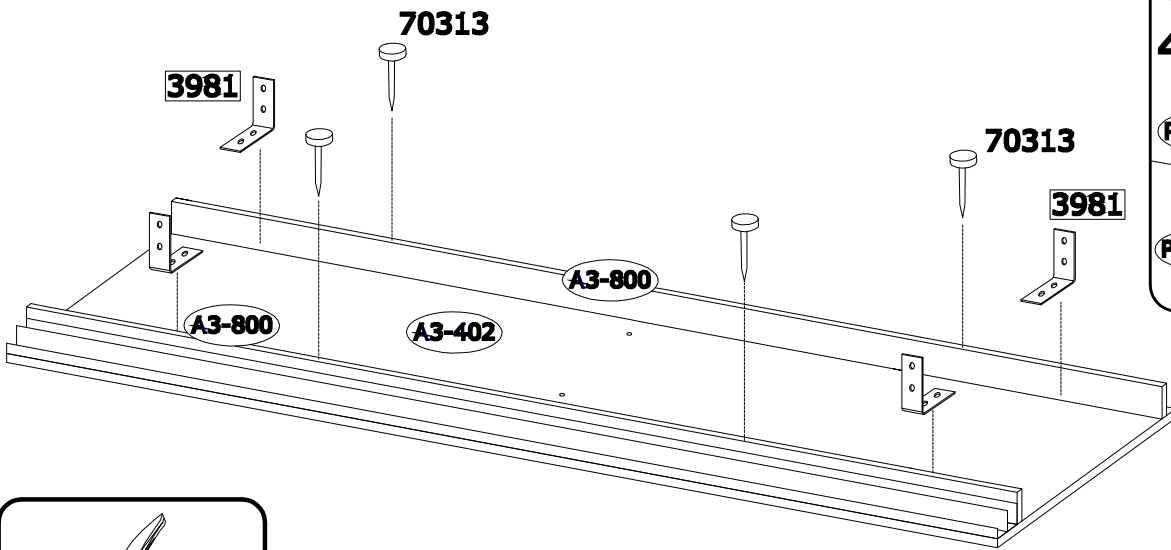
# 2.

	
--	---



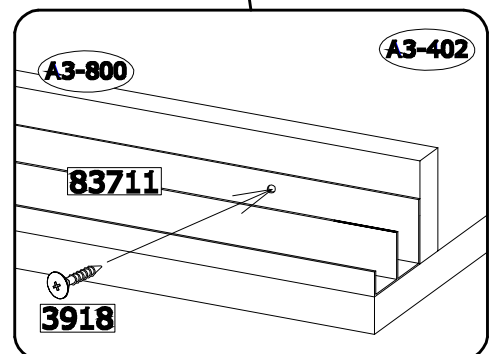
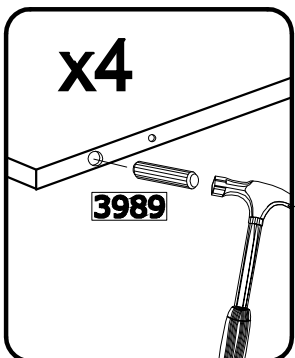
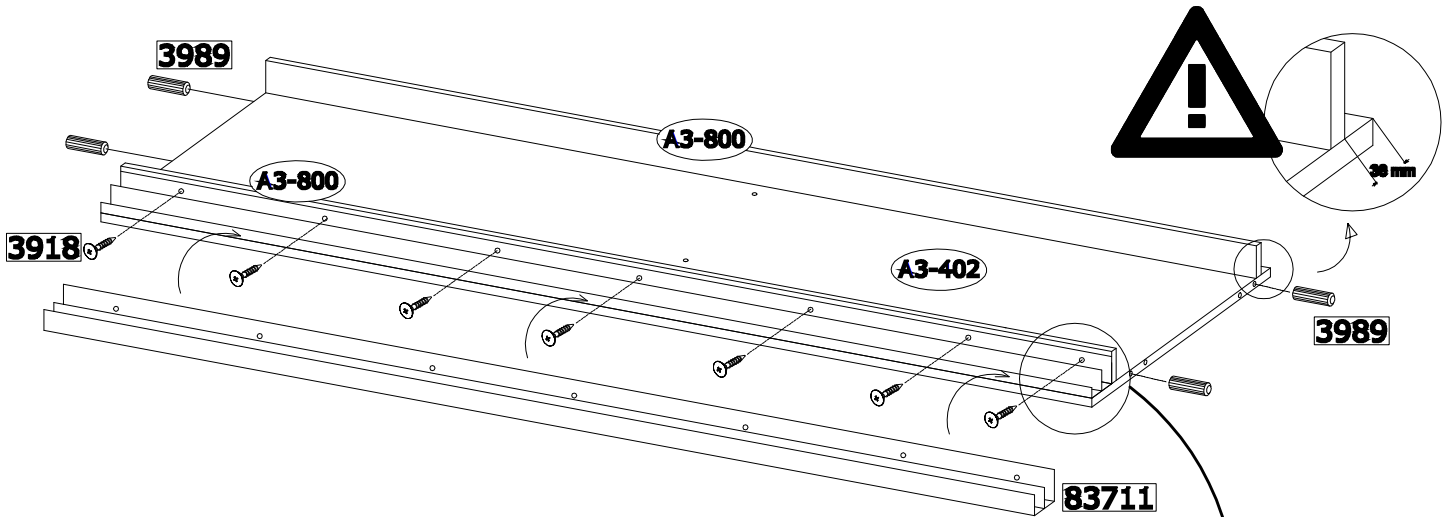
# 3.

<b>70313</b>  x4	<b>3981</b>  x4	<b>3918</b>  x16		
--	---	--	--	--



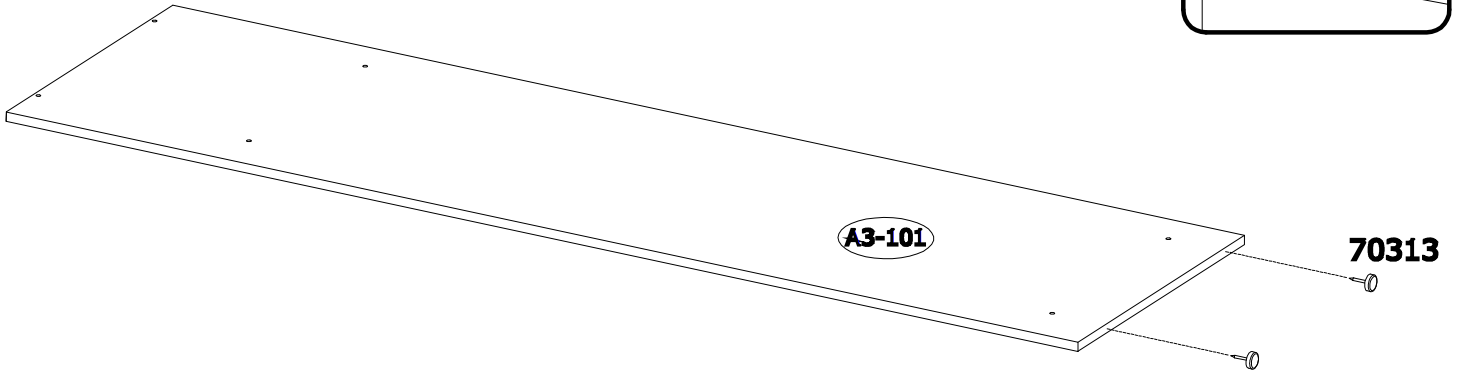
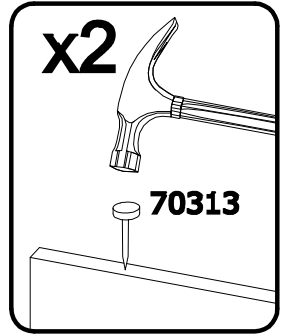
# 4.

<b>3918</b>  x7	<b>83711</b>  x1	<b>3989</b>  x4		
--	---	--	--	---



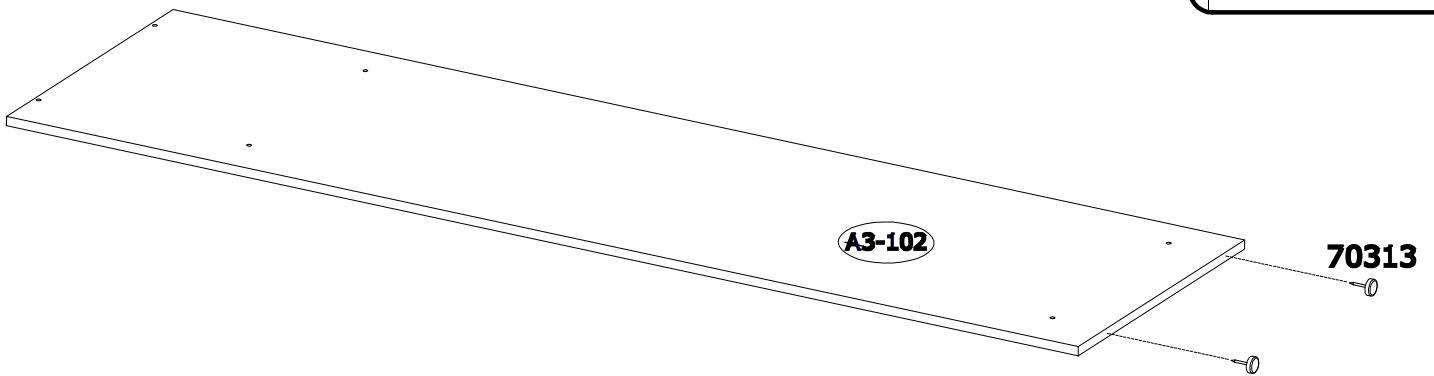
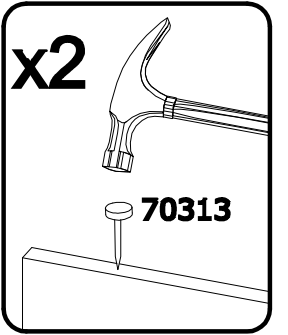
5.

70313  
x2



6.

70313  
x2

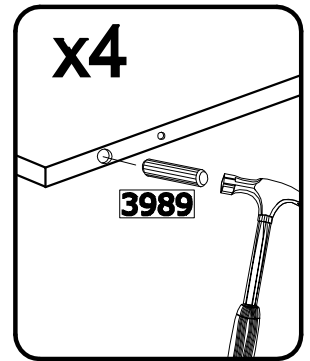
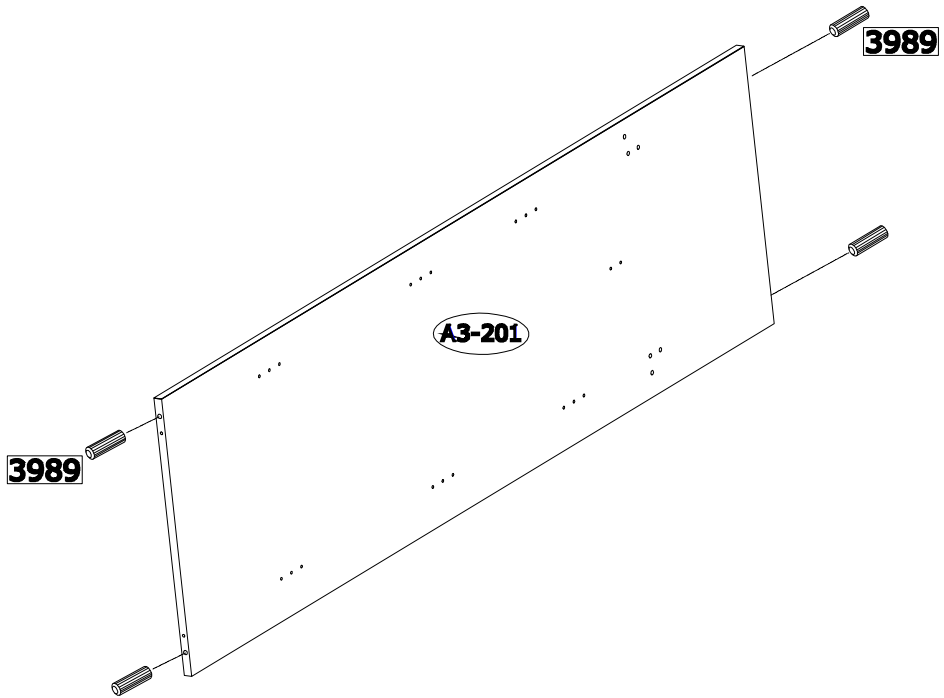


# 7.

3989



x4

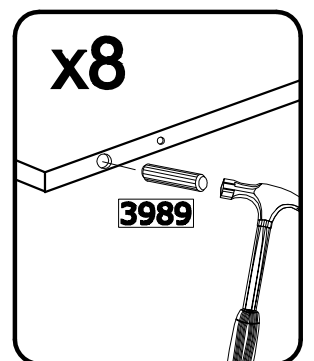
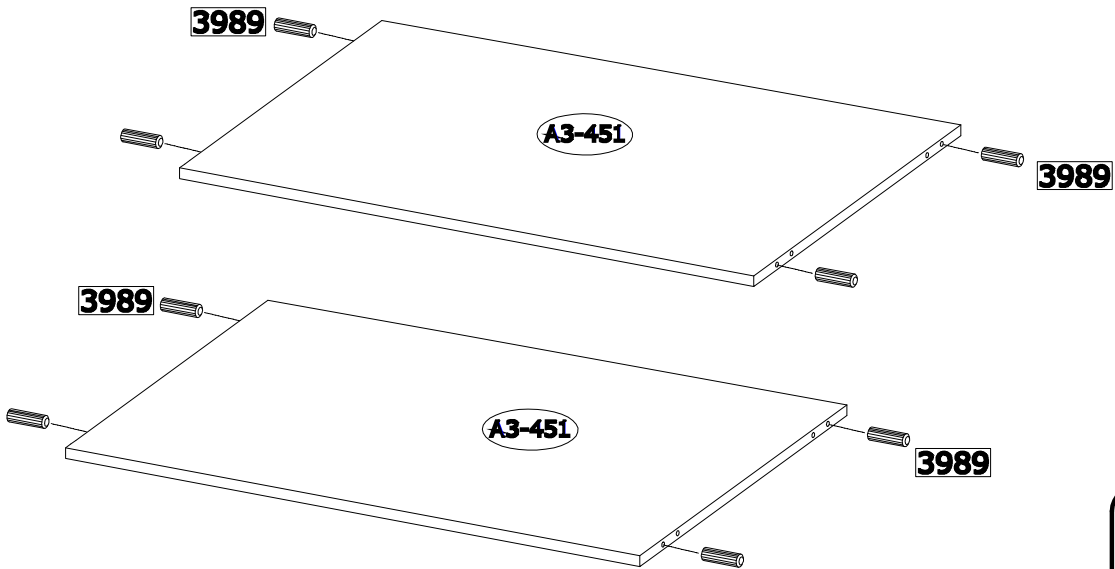


# 8.

3989



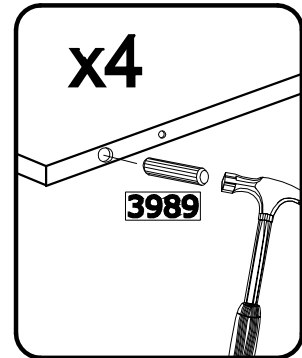
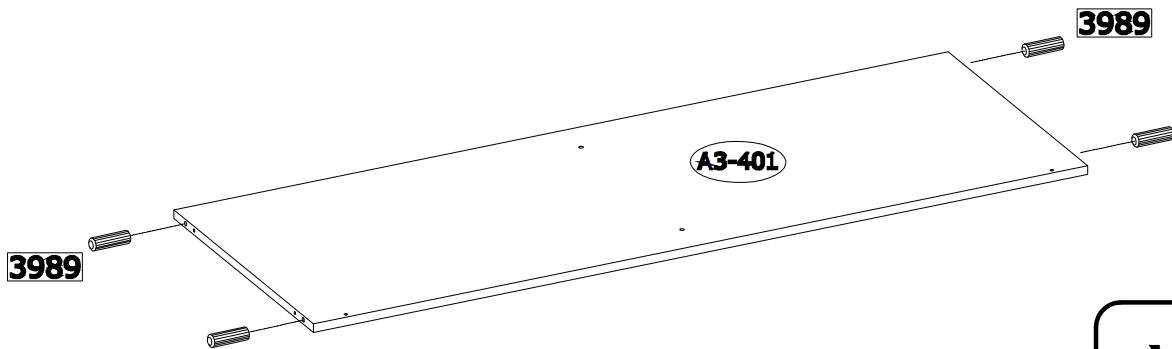
x8





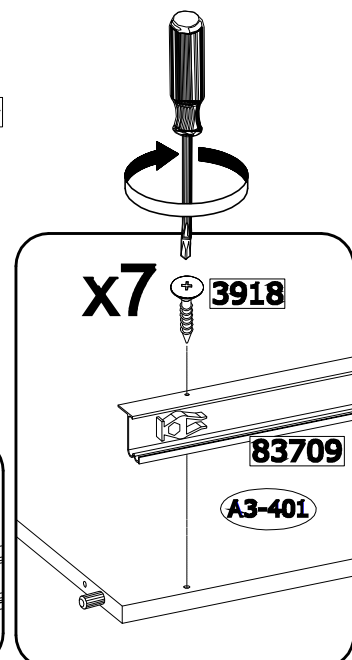
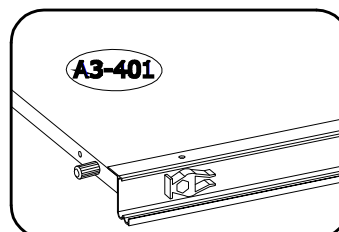
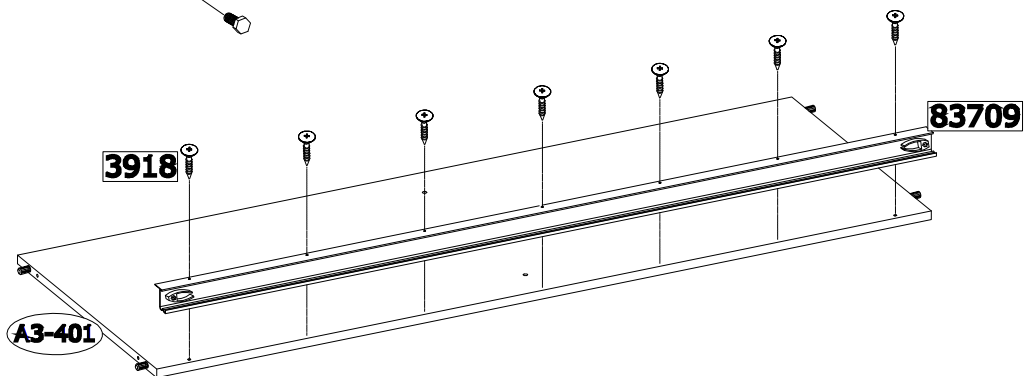
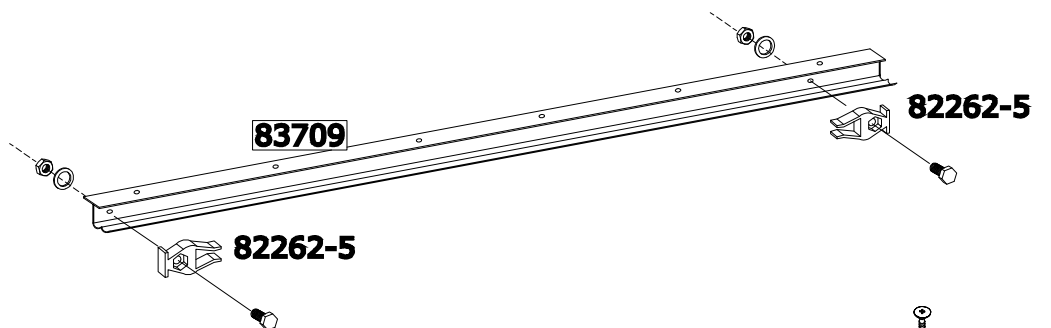
# 9.

<b>3989</b>  <b>x4</b>		
--	--	--



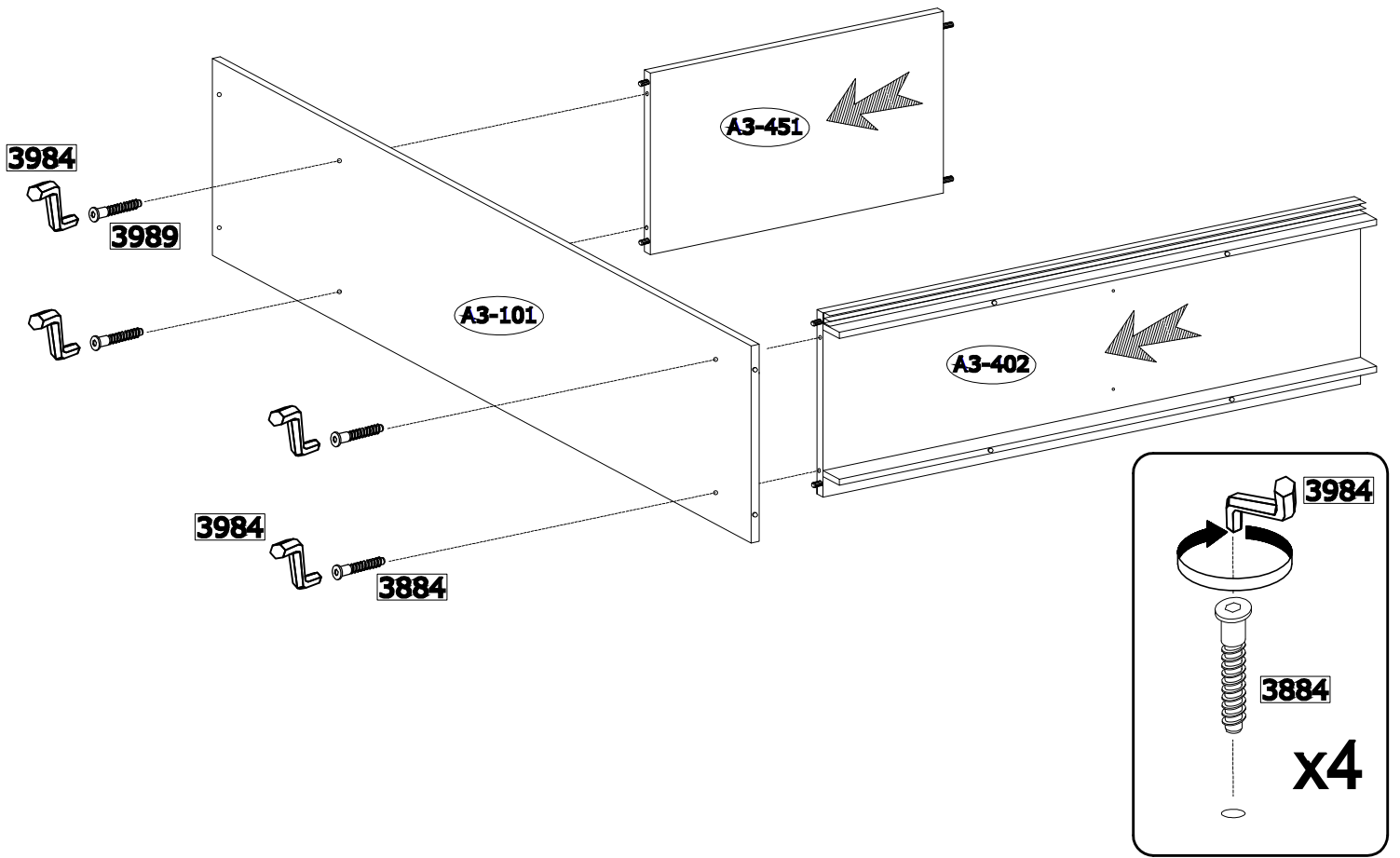
# 10.

<b>3918</b>  <b>x7</b>	<b>83709</b>  <b>x1</b>	<b>82262-5</b>  <b>x2</b>	<b>PH2</b> 
---	--	--	--



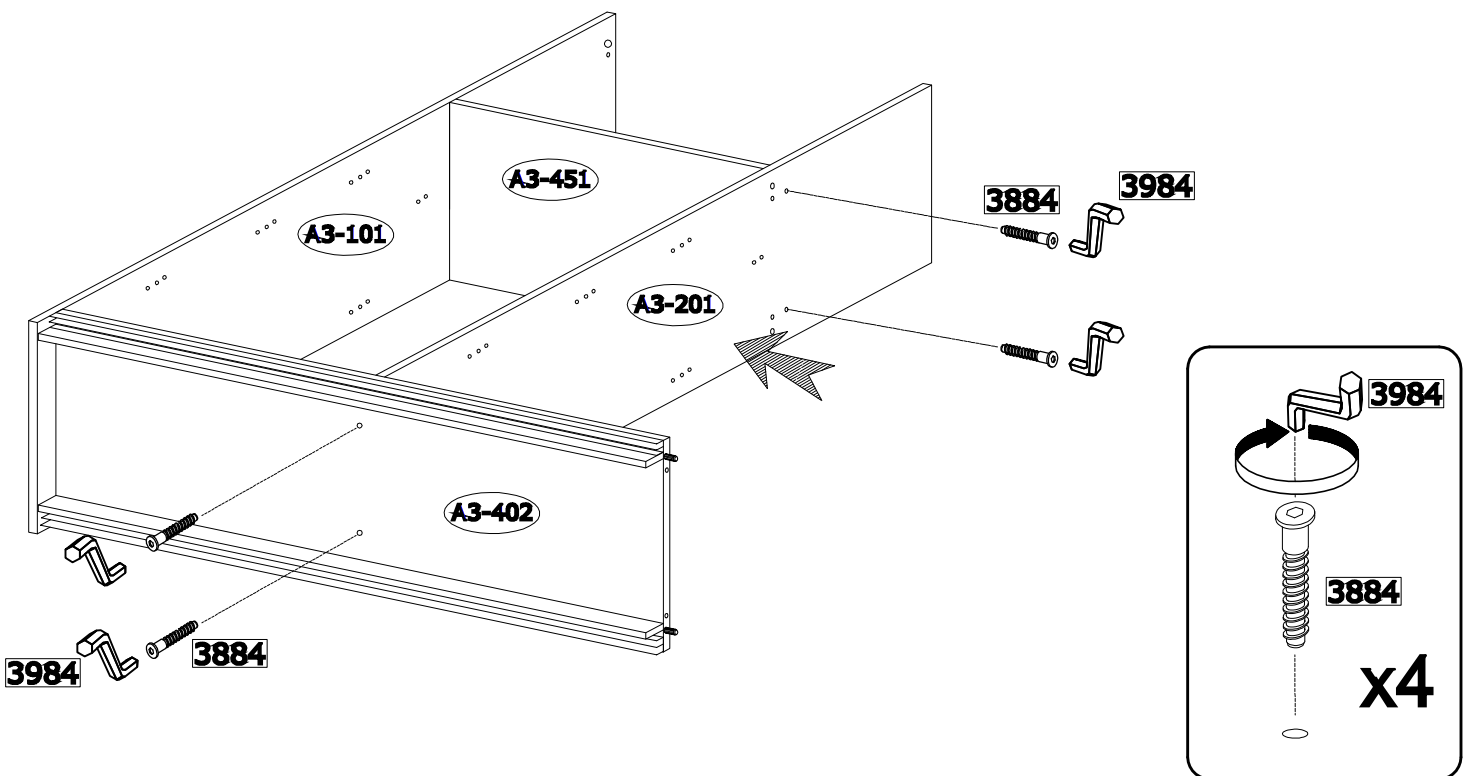
# 11.

<b>3884</b>  <b>x4</b>	<b>3984</b>  <b>x1</b>		
--	--	--	--



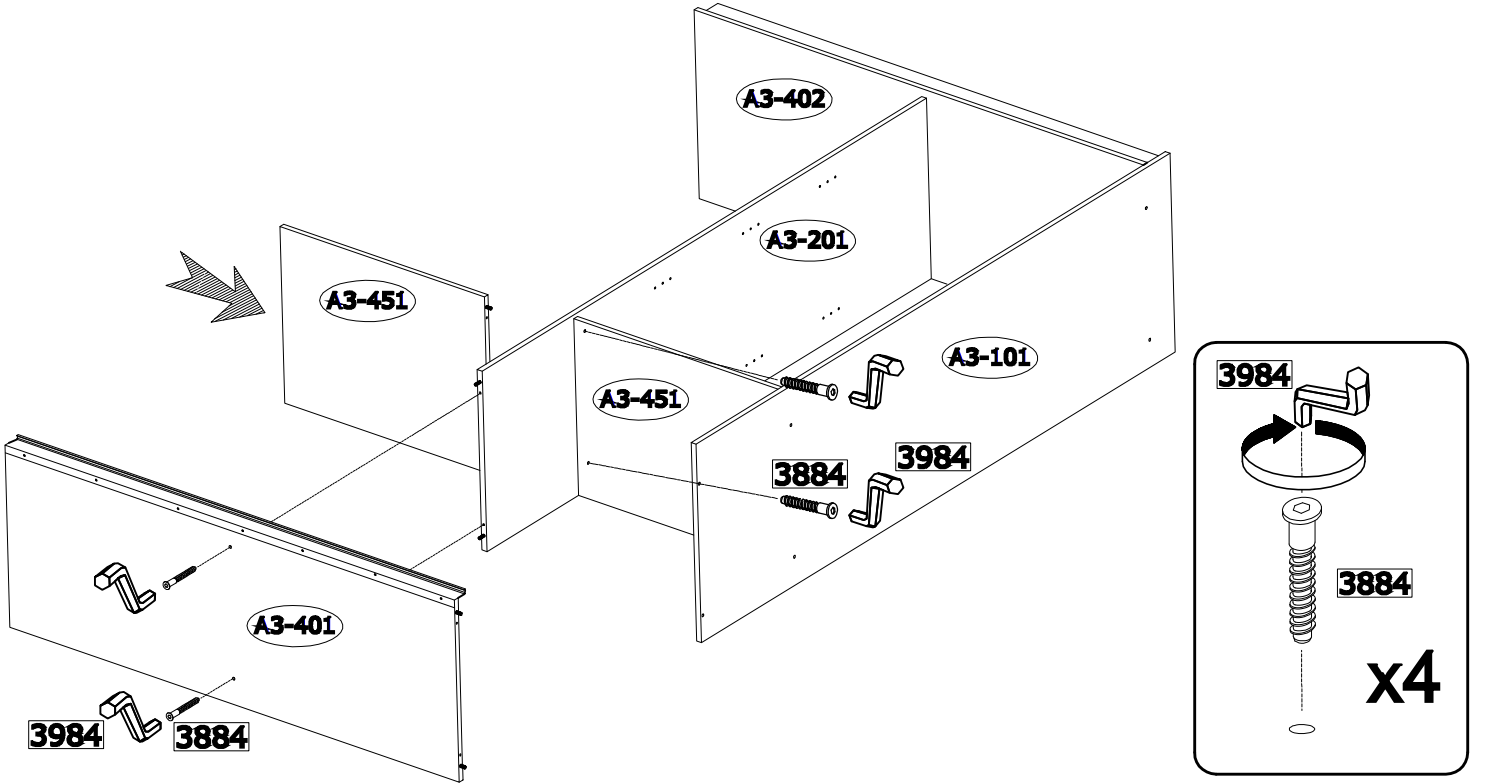
# 12.

<b>3884</b>  <b>x4</b>	<b>3984</b>  <b>x1</b>		
---	---	--	--



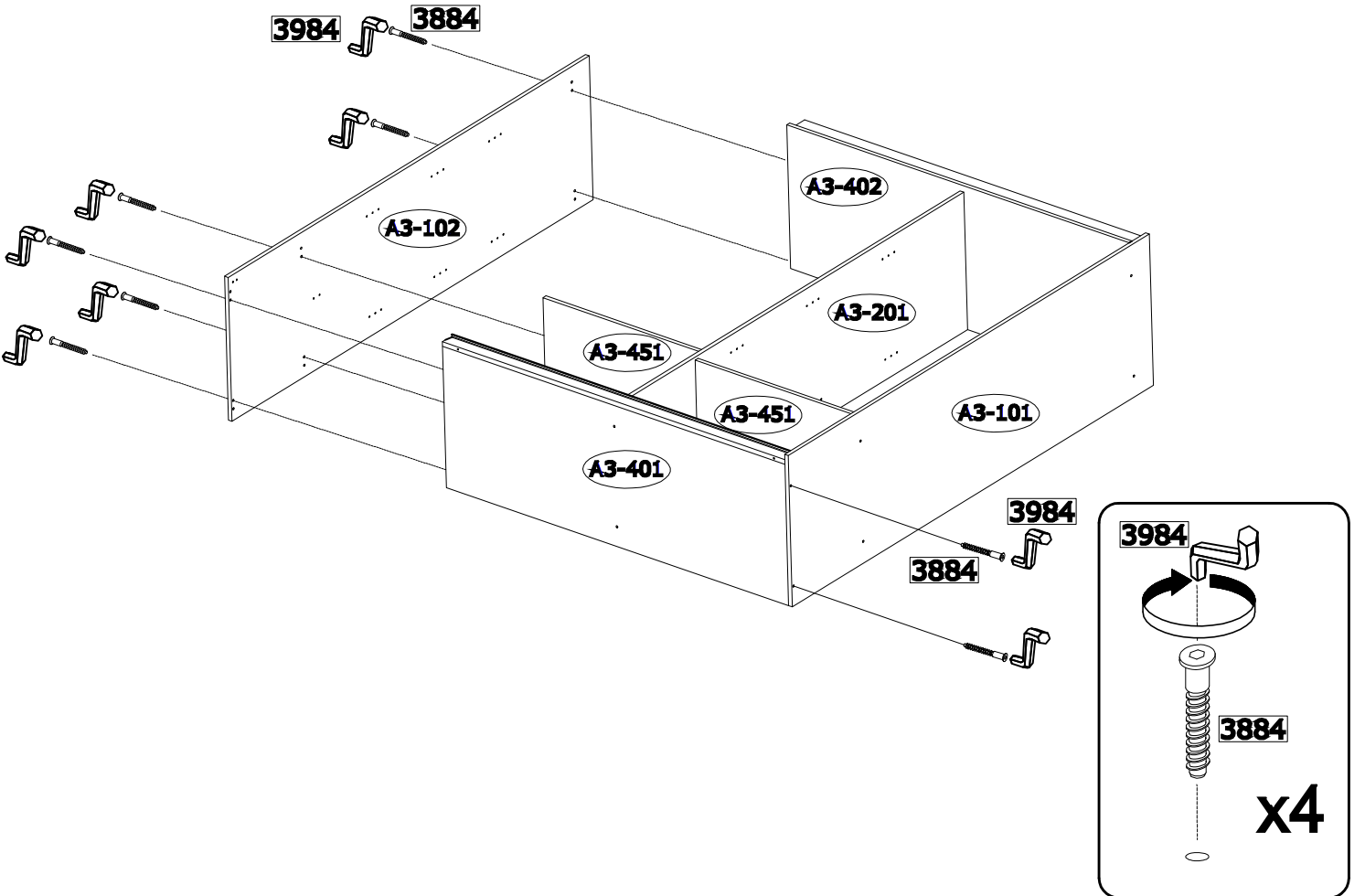
# 13.

<b>3884</b>  x4	<b>3984</b>  x1		
---	---	--	--



# 14.

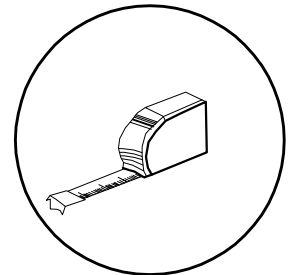
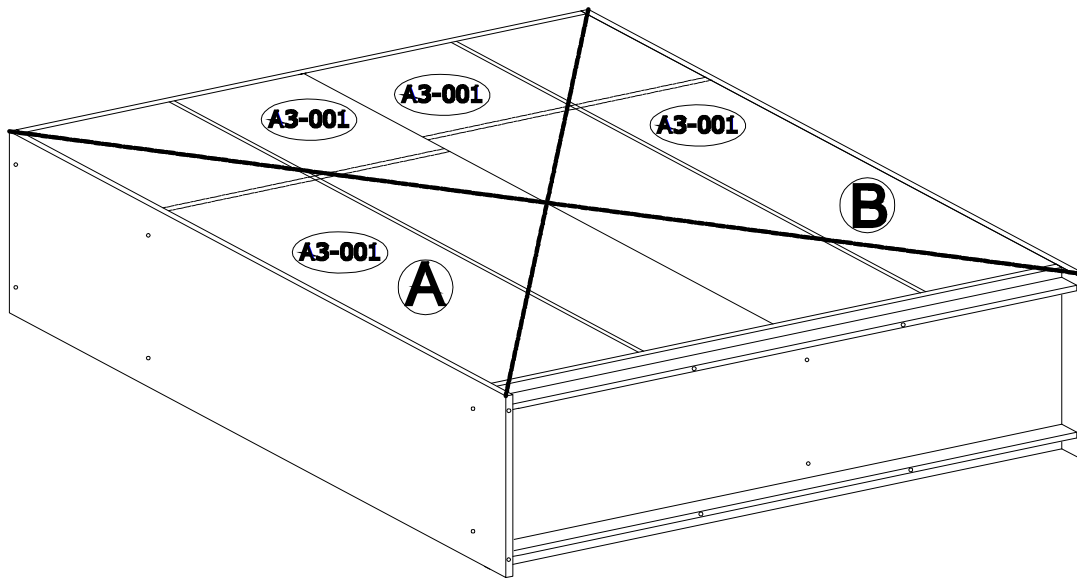
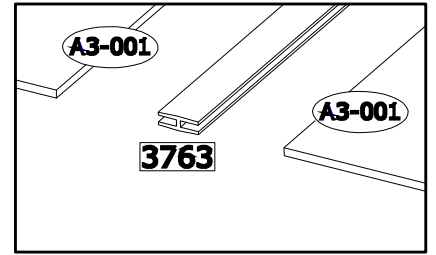
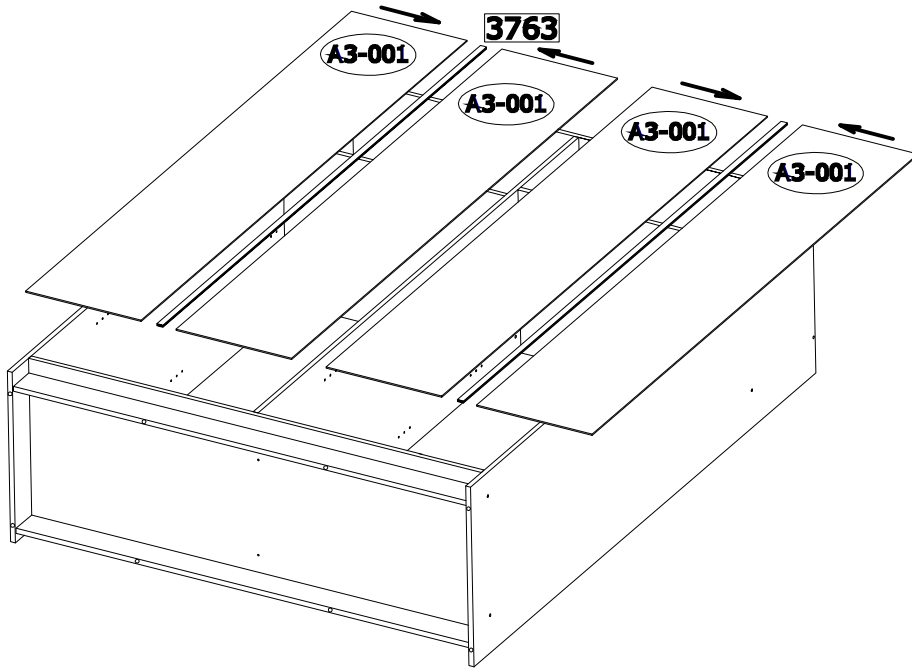
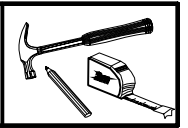
<b>3884</b>  x8	<b>3984</b>  x1		
--	--	--	--



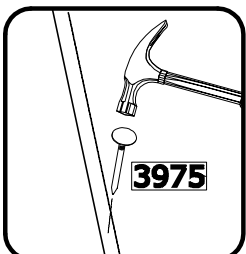
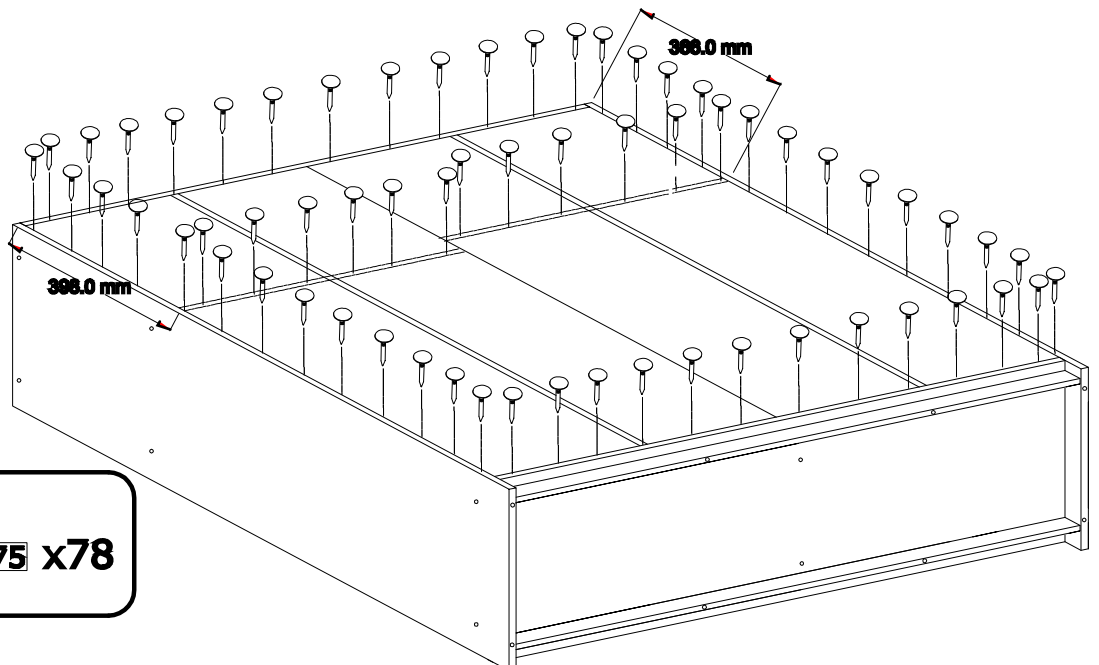
# 15.

3975  
x78

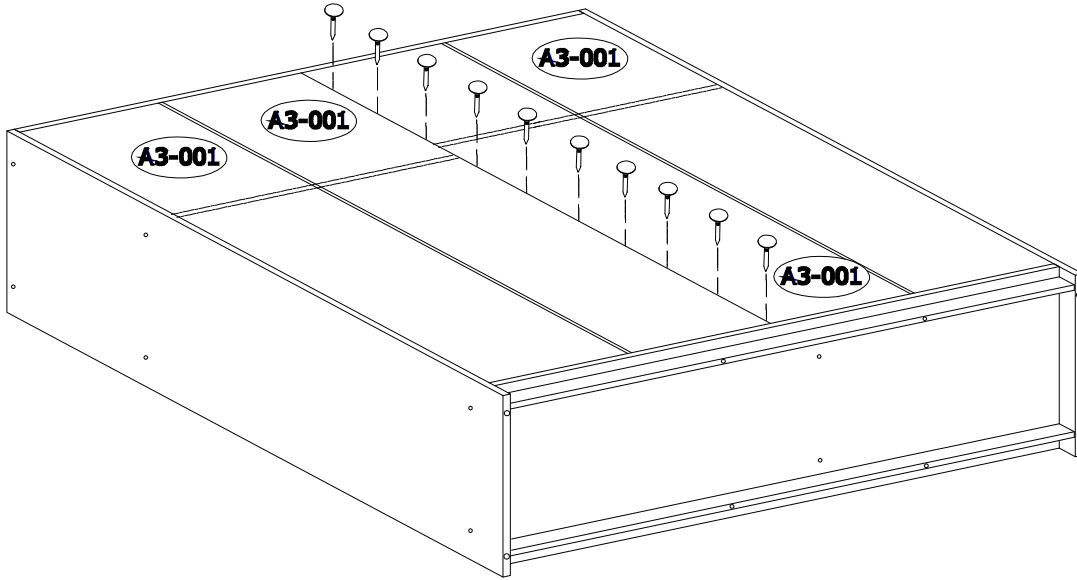
3763  
x2



**A=B**

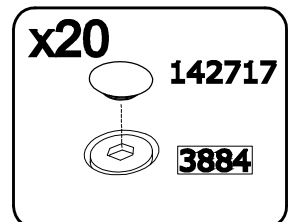
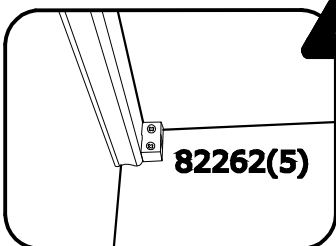
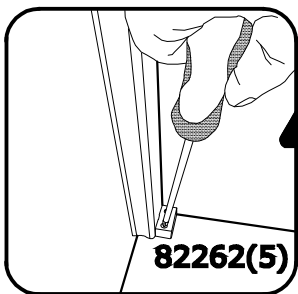
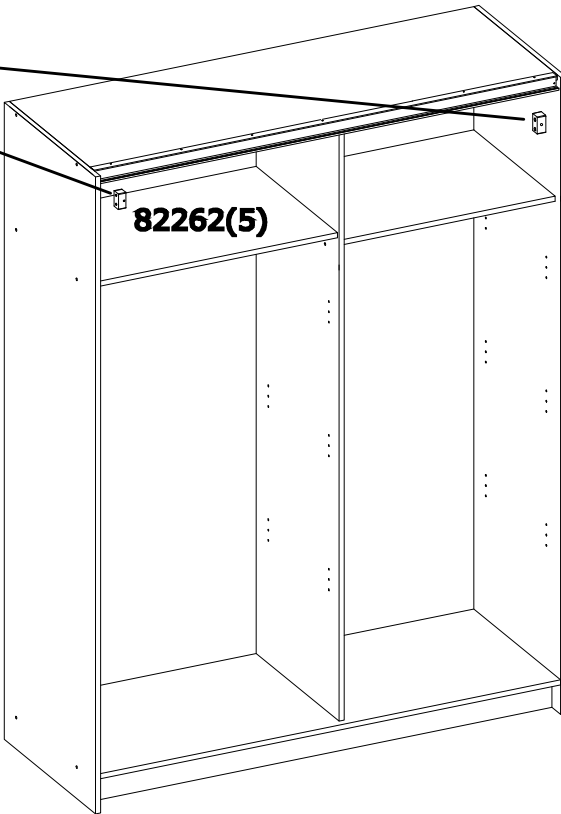
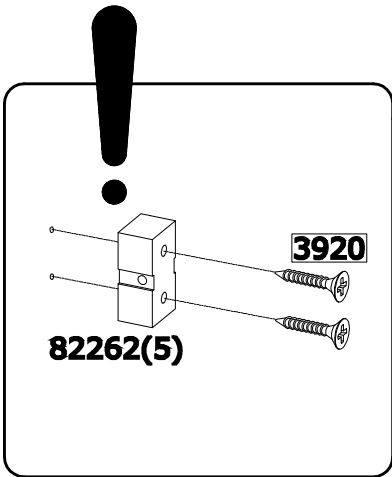


3975 x78



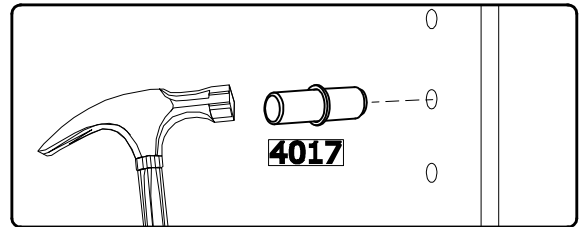
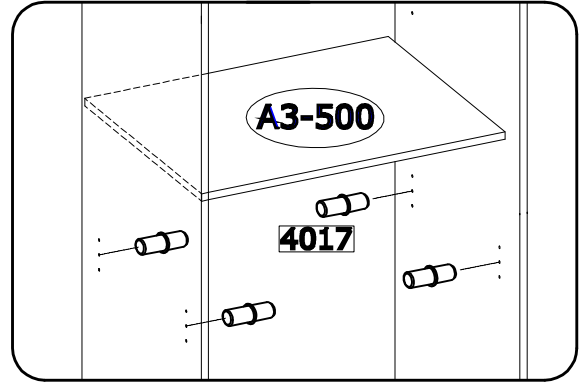
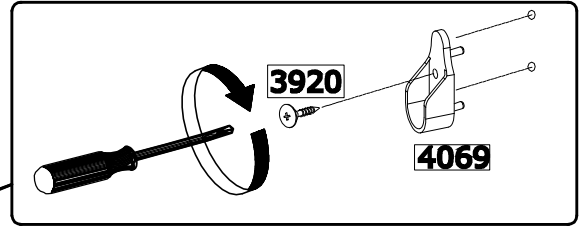
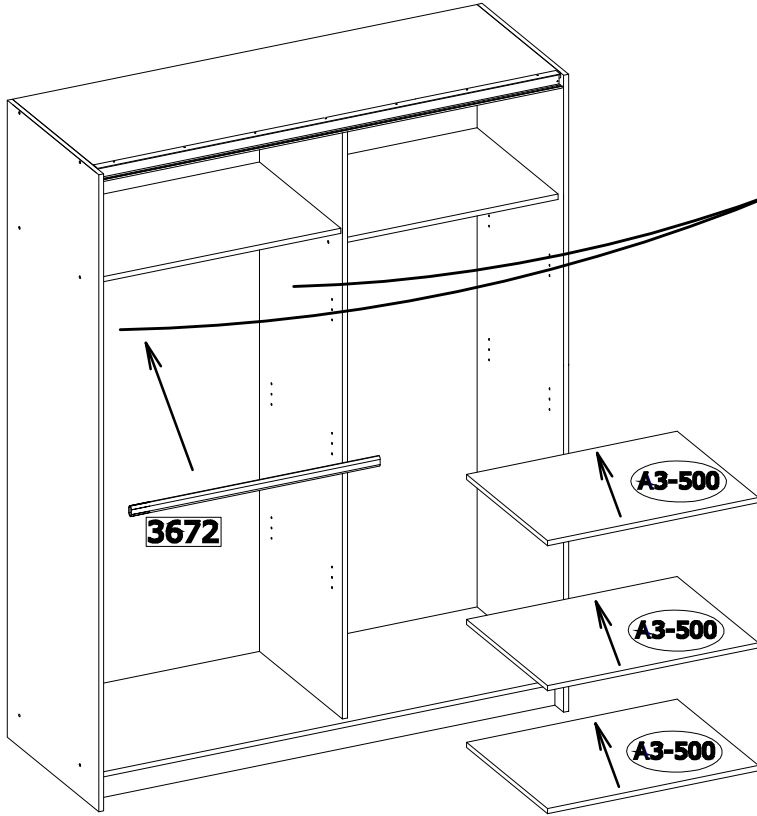
16.

<b>82262(5)</b>  x2	<b>3920</b>  x4	<b>142717</b>  x20		 ⊕ PH2
---------------------------	-----------------------	--------------------------	--	-----------



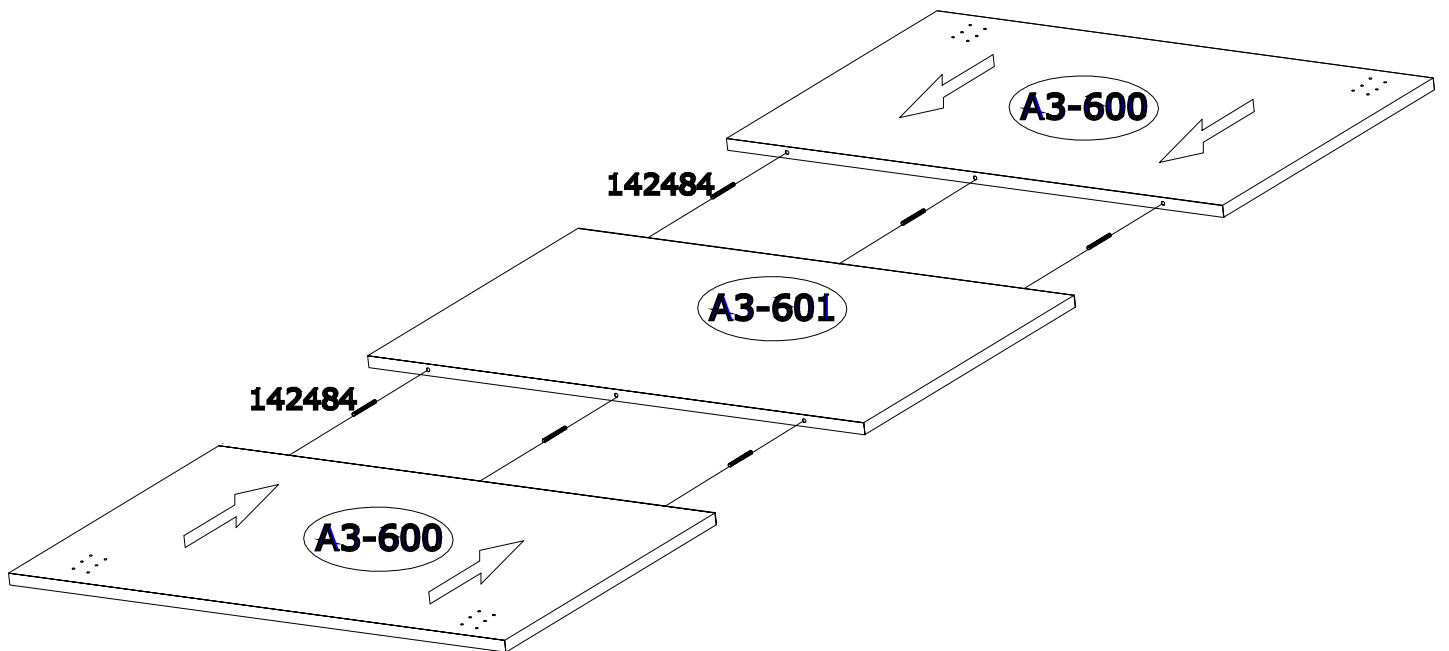
# 17.

<b>3920</b>  x2	<b>4069</b>  x2	<b>3672</b>  x1	<b>4017</b>  x12	 ⊕PH1
---	---	---	--	--

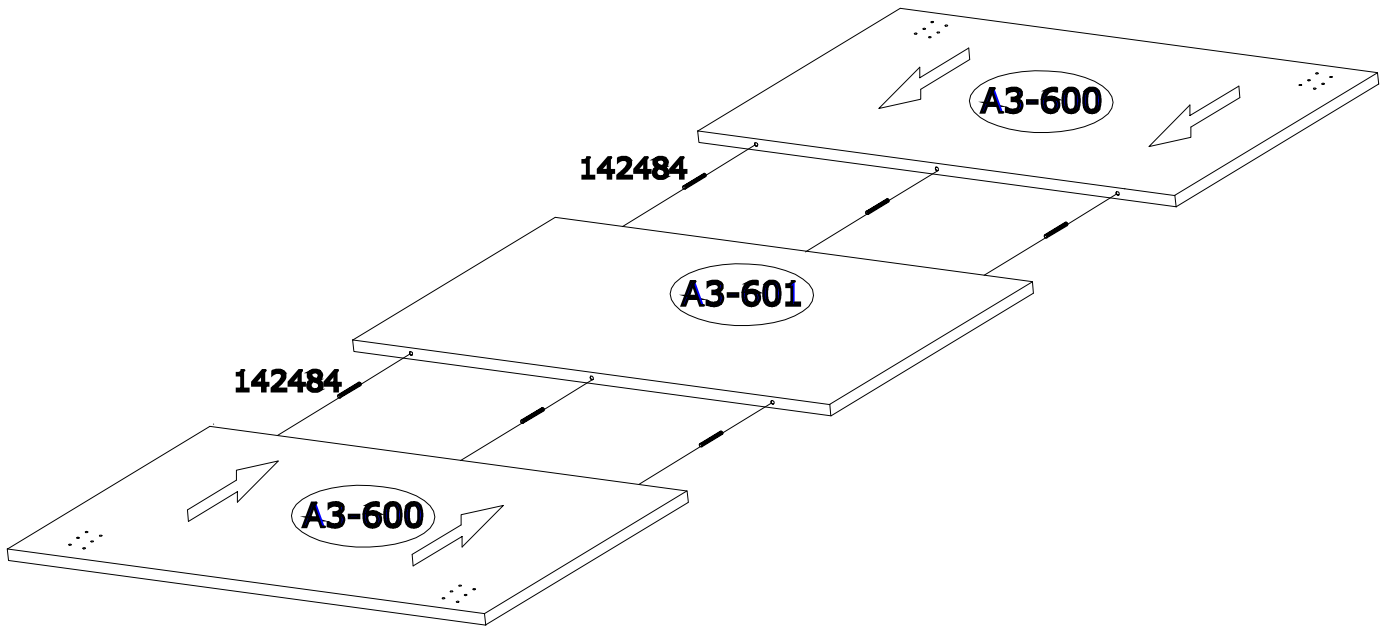


# 18.

<b>142484</b>  x12		
---	--	---

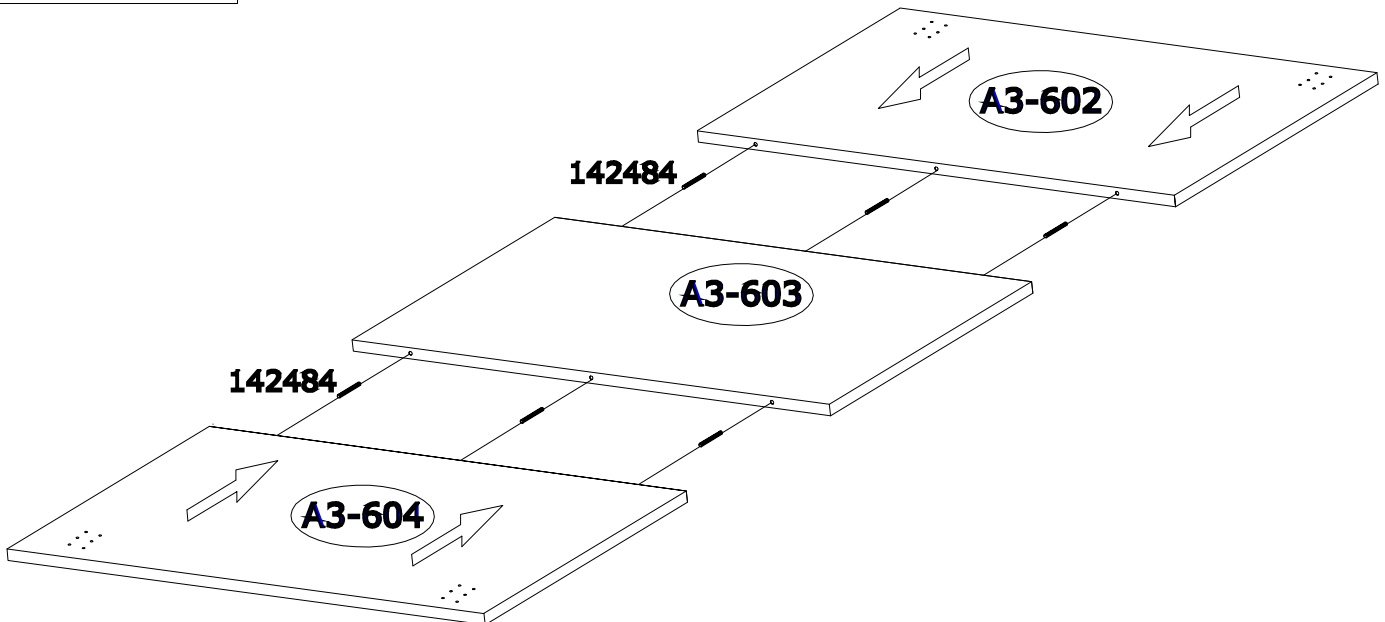


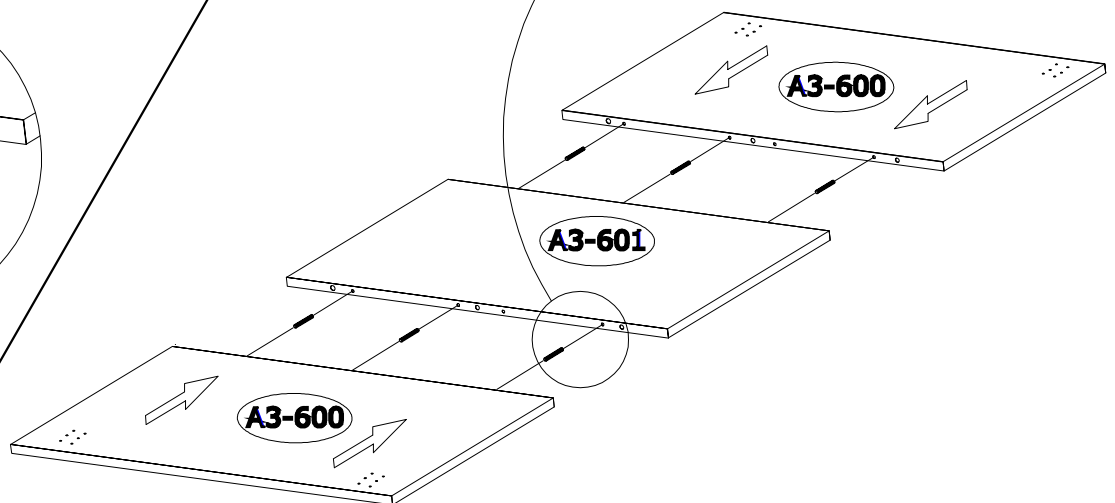
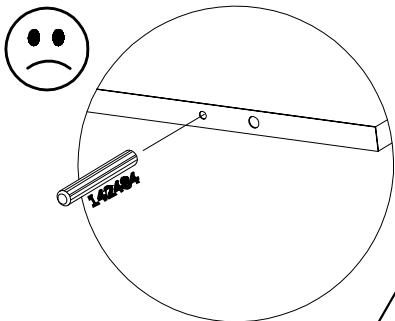
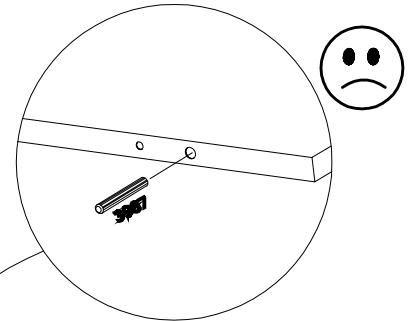
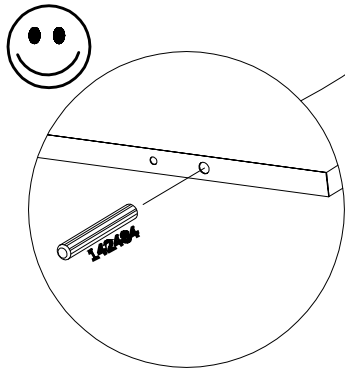
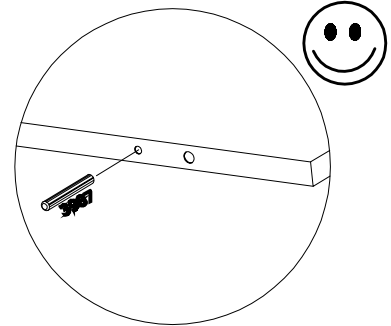
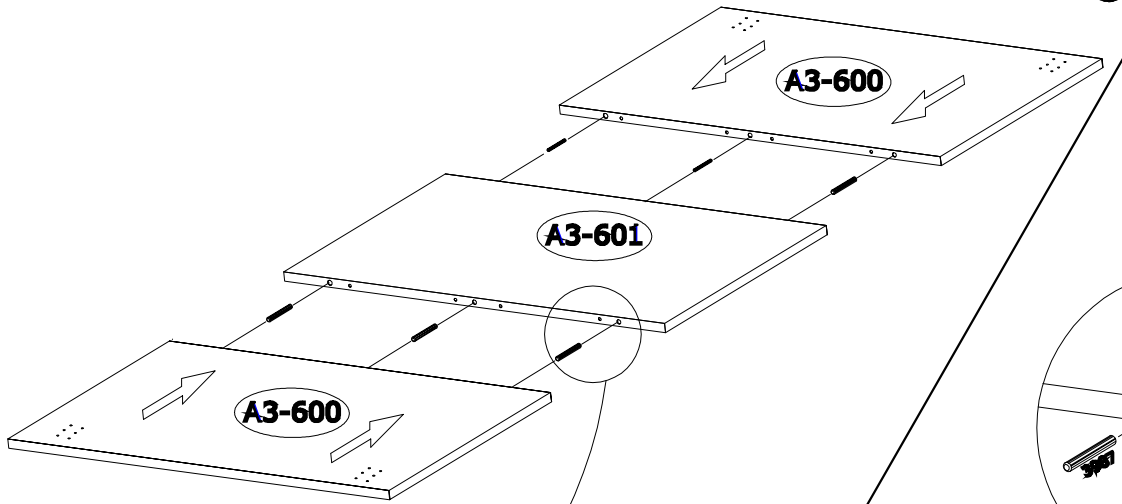
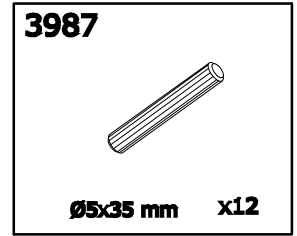
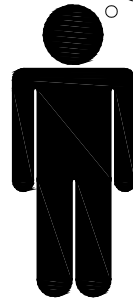
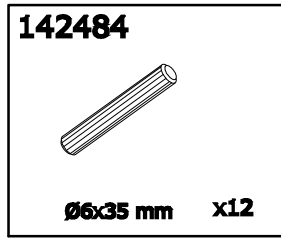
## ARSALA II



---

## ARSALA III

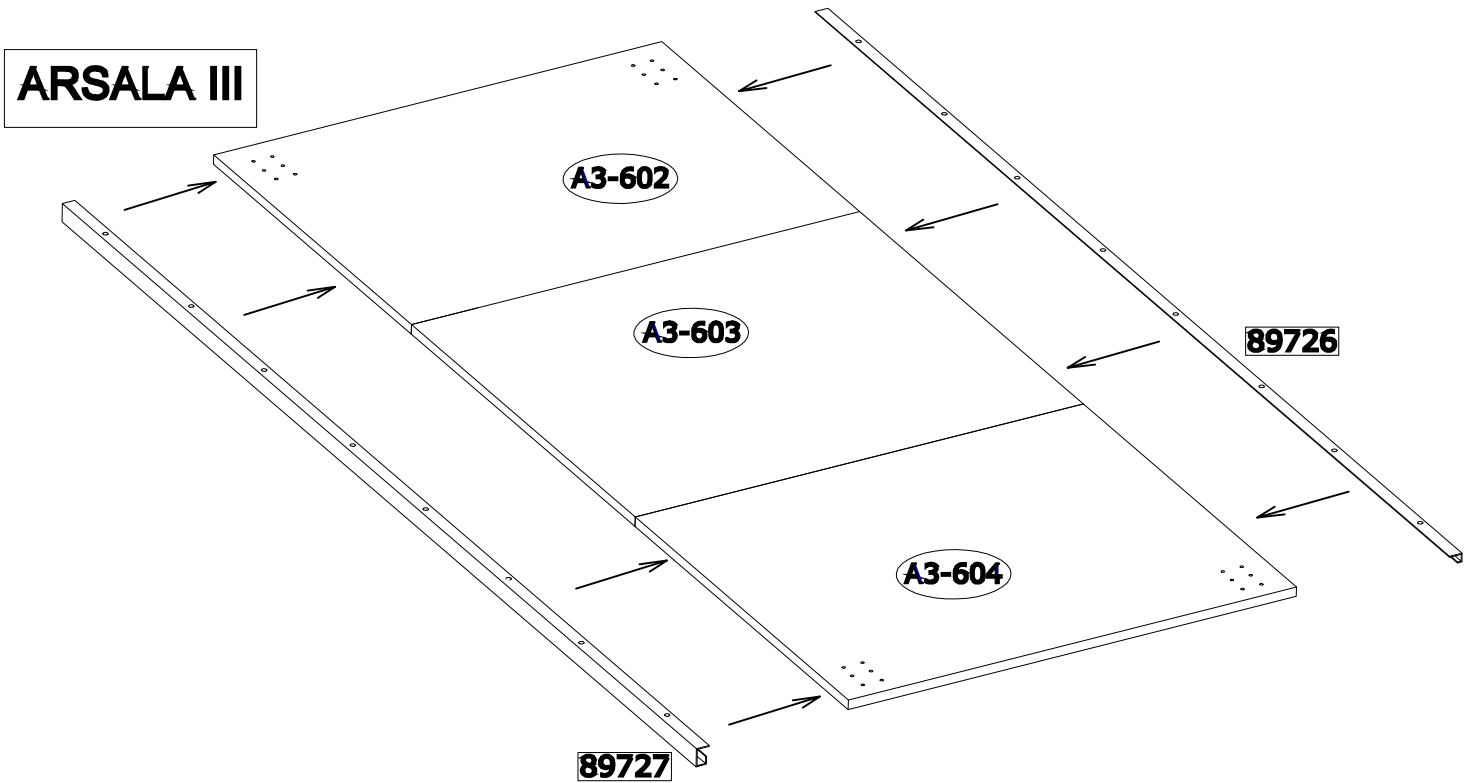
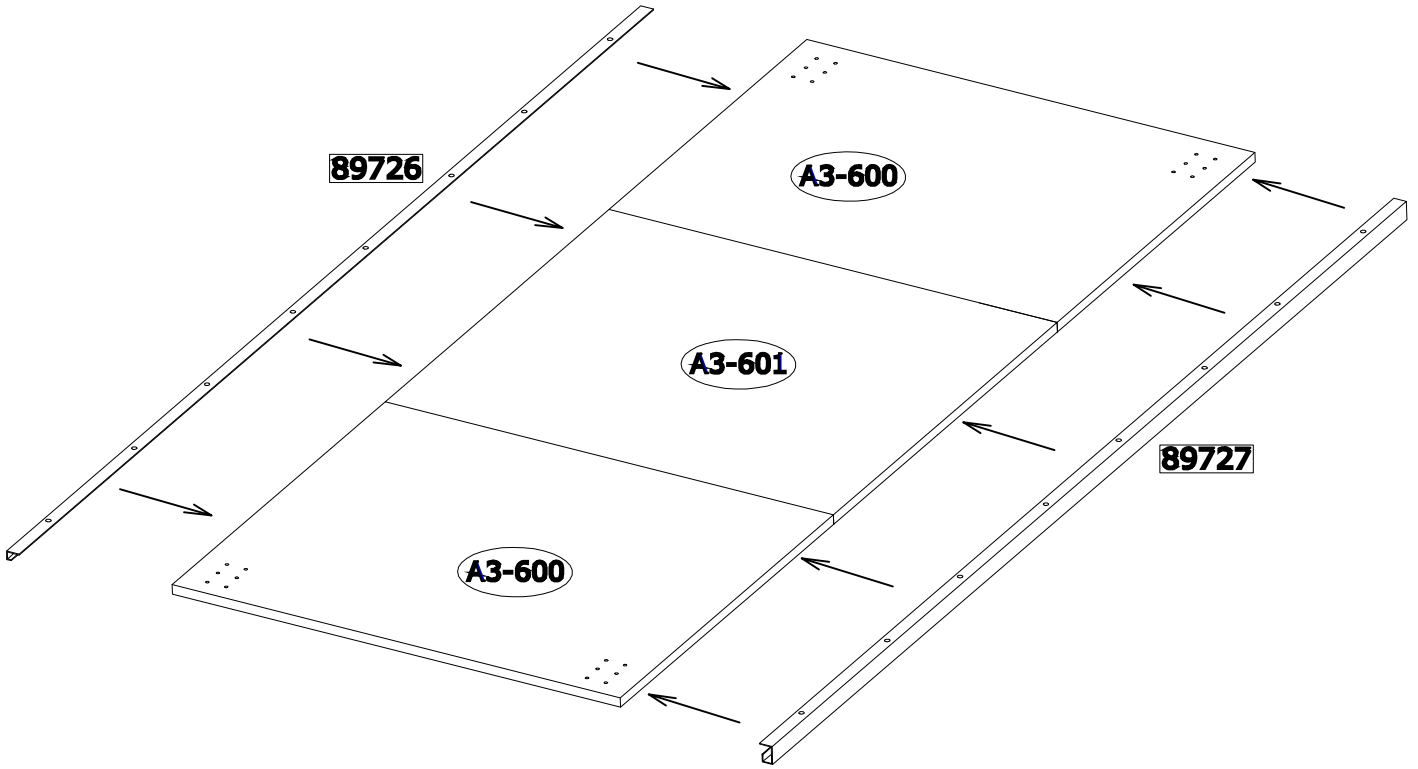




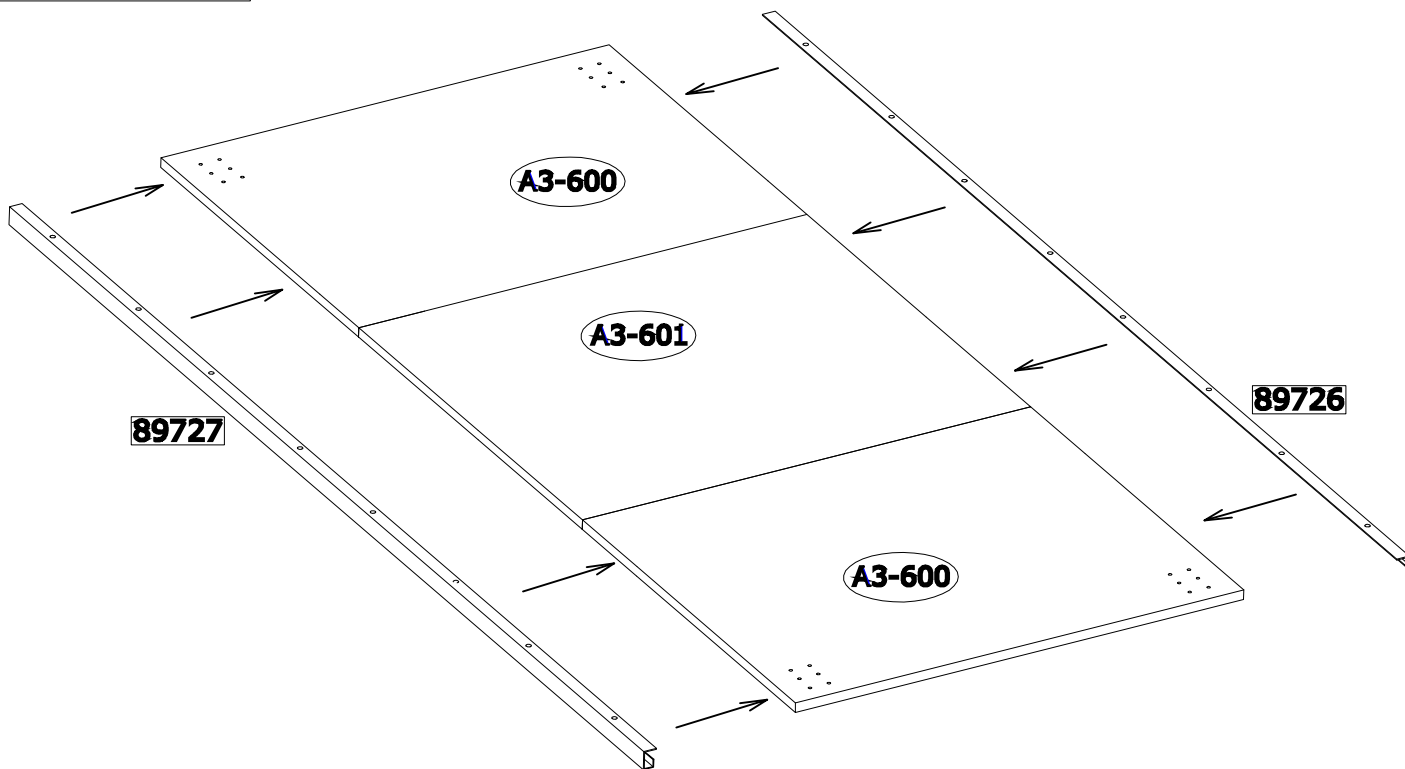


# 19.

<b>89726</b>  x2	<b>89727</b>  x2		
--	--	--	--



# ARSALA II



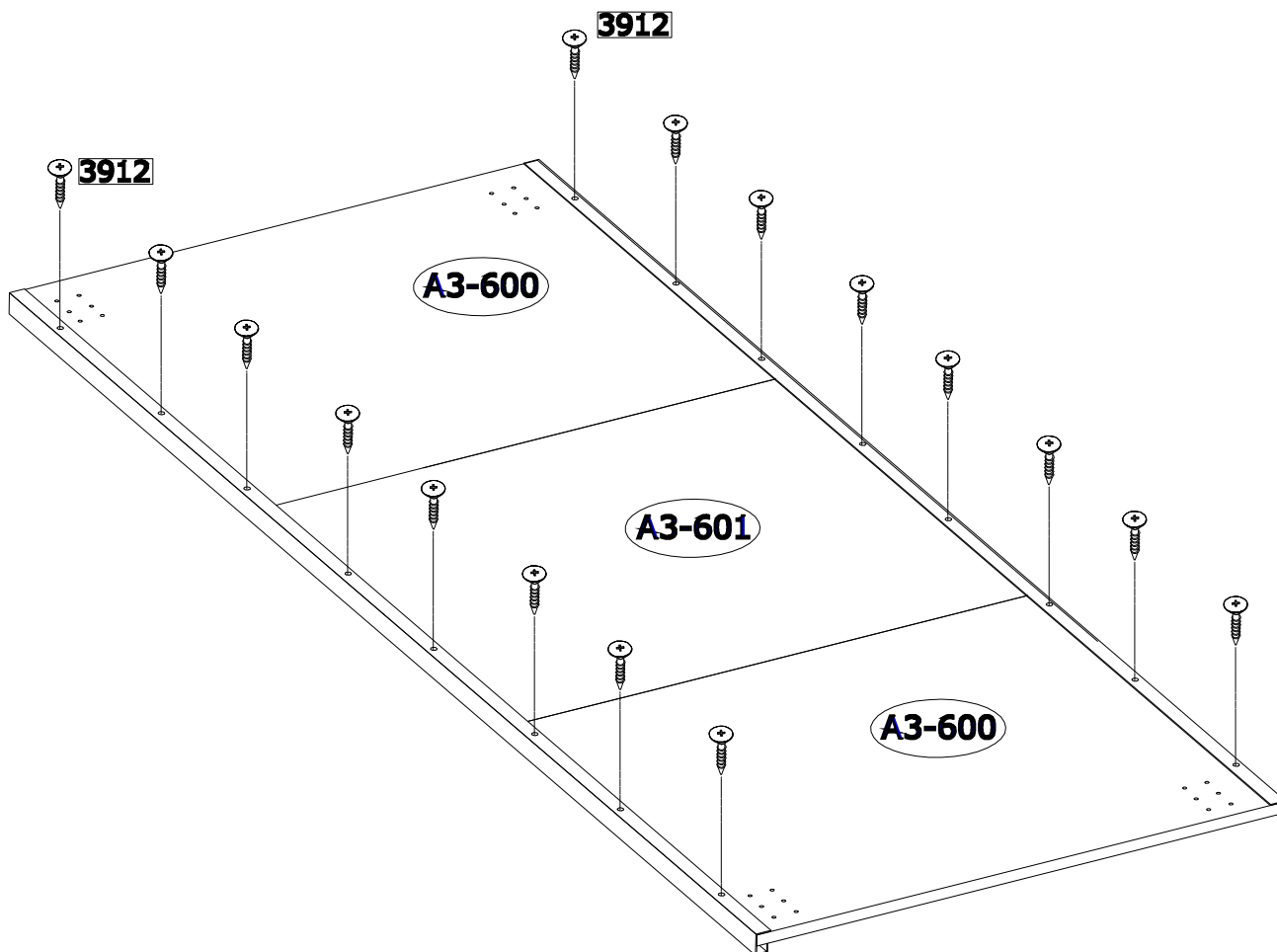
# 20.

3912

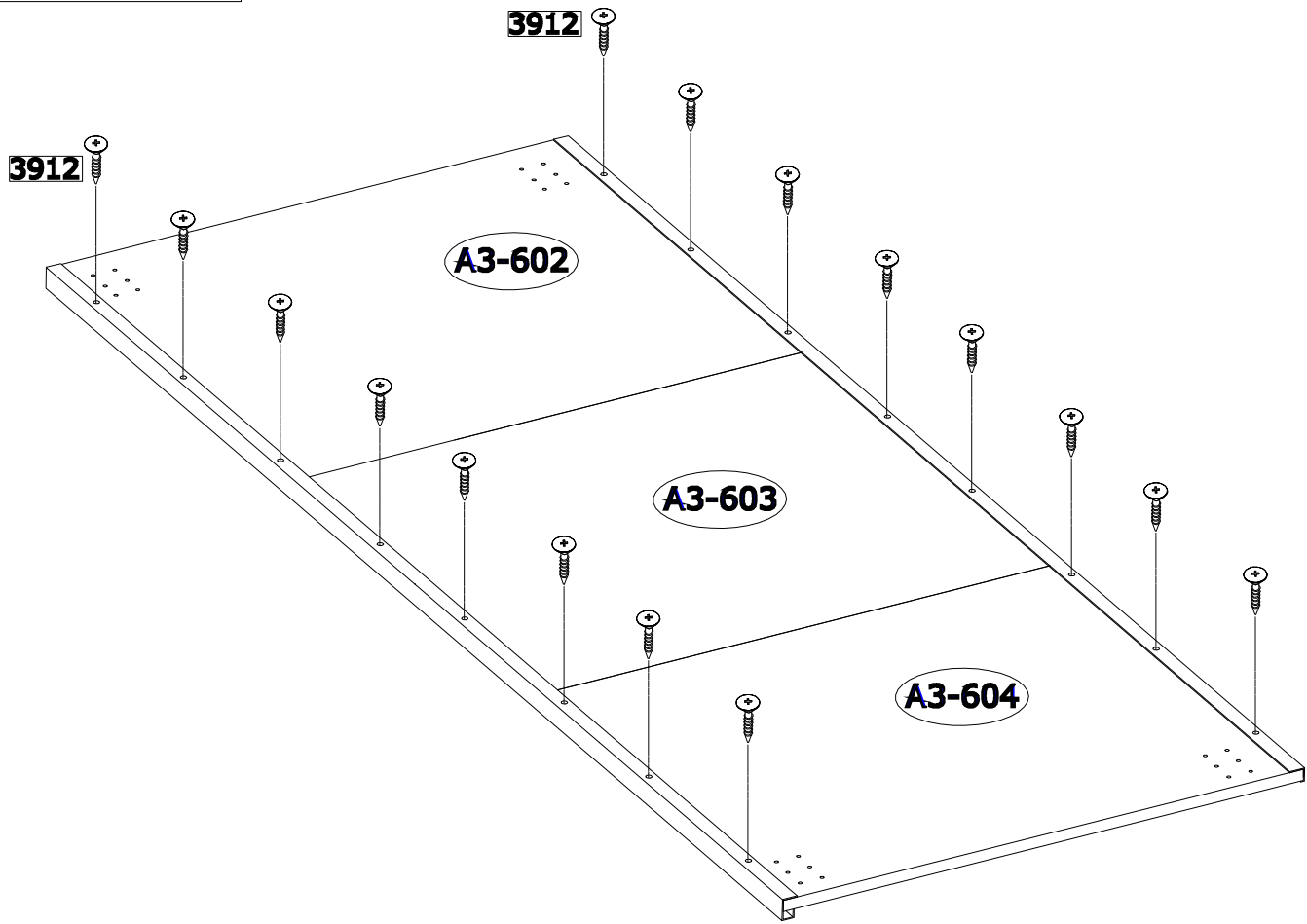


x32

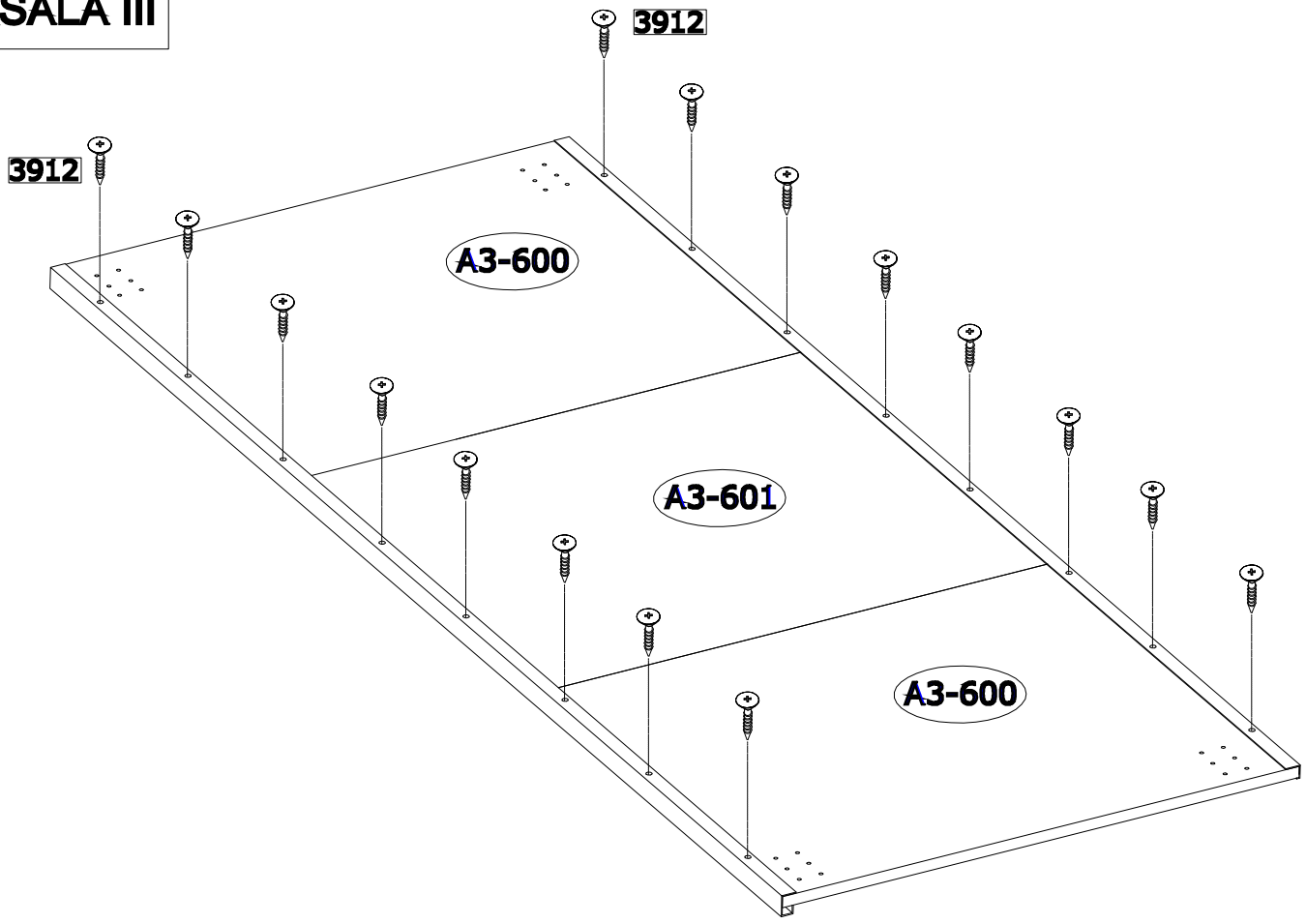
PH1



# ARSALA II

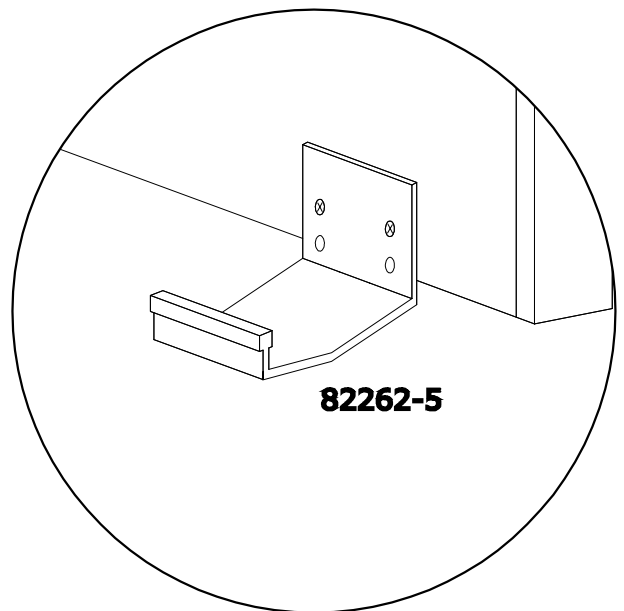
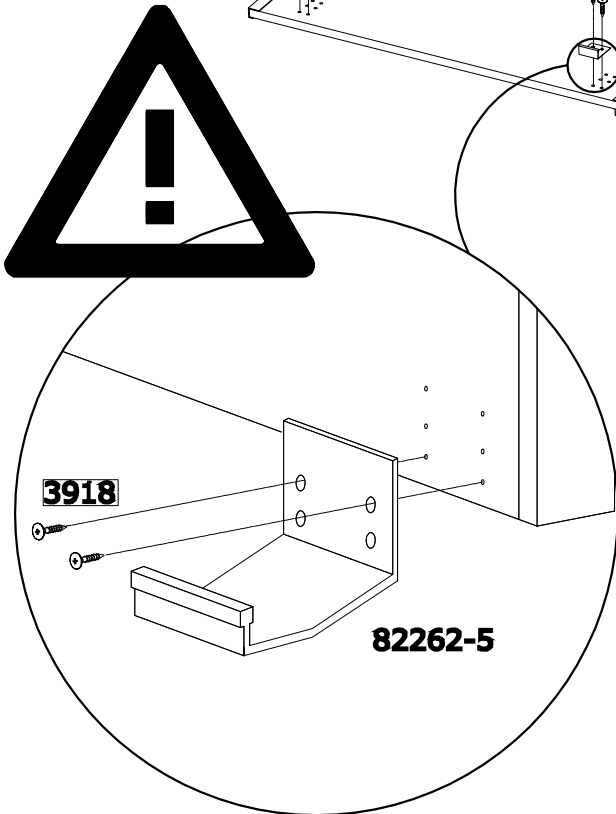
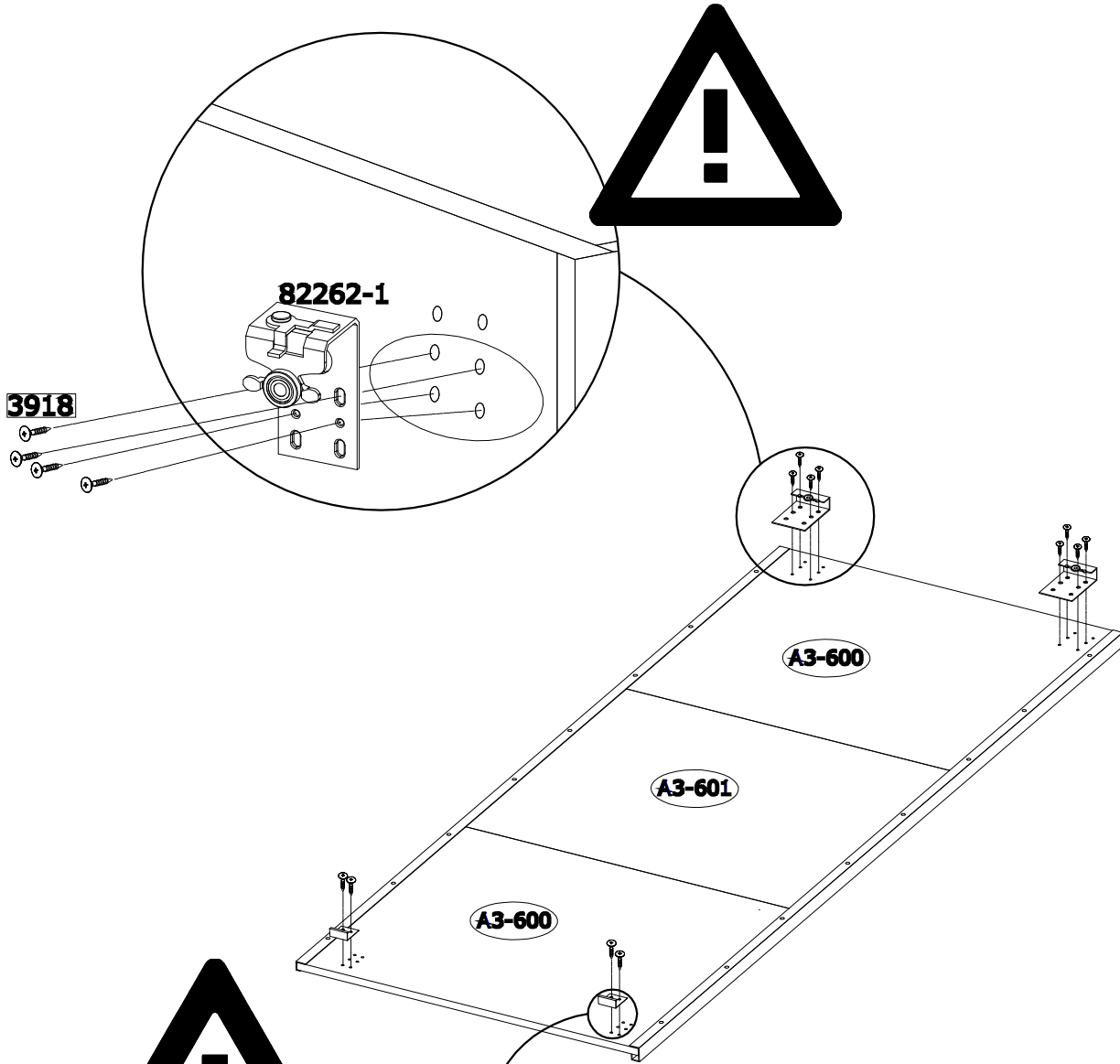


# ARSALA III



# 21.

<b>3918</b>  x12	<b>82262-1</b>  x2	<b>82262(3)</b>  x2	<b>PH2</b> 
--	--	---	--



# 22.

3918  
x12

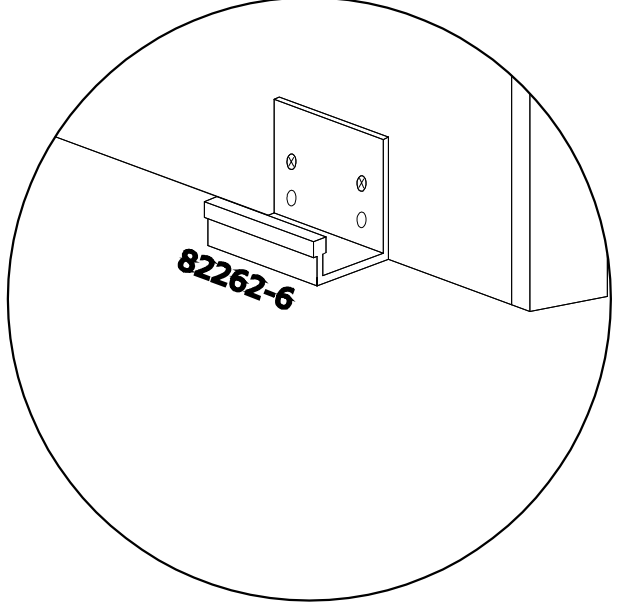
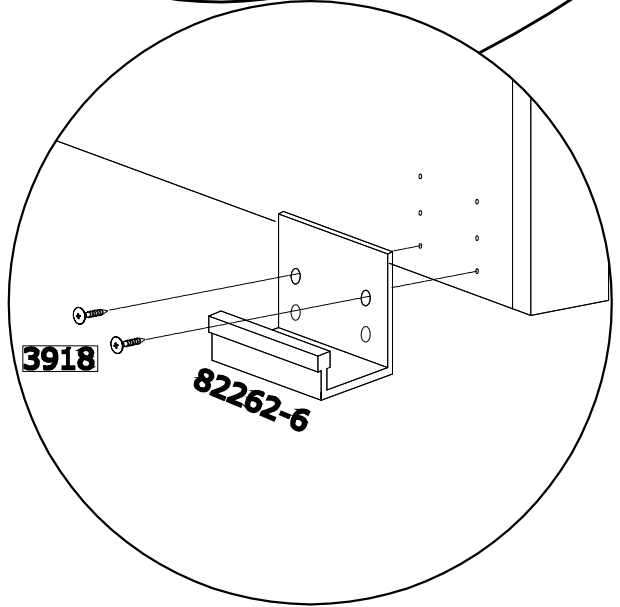
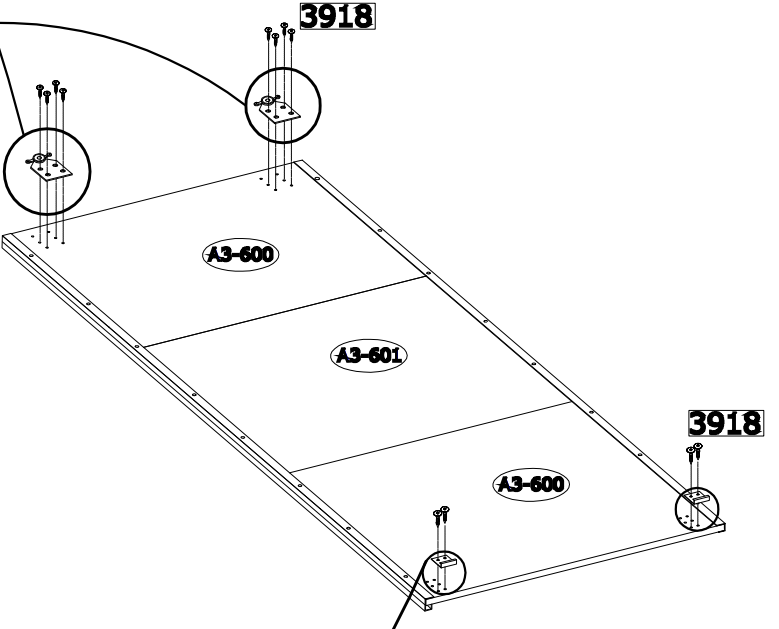
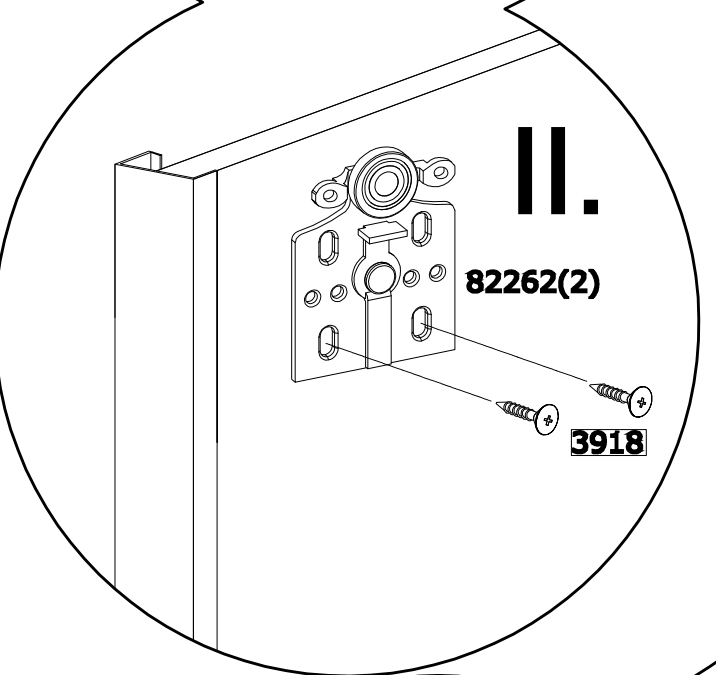
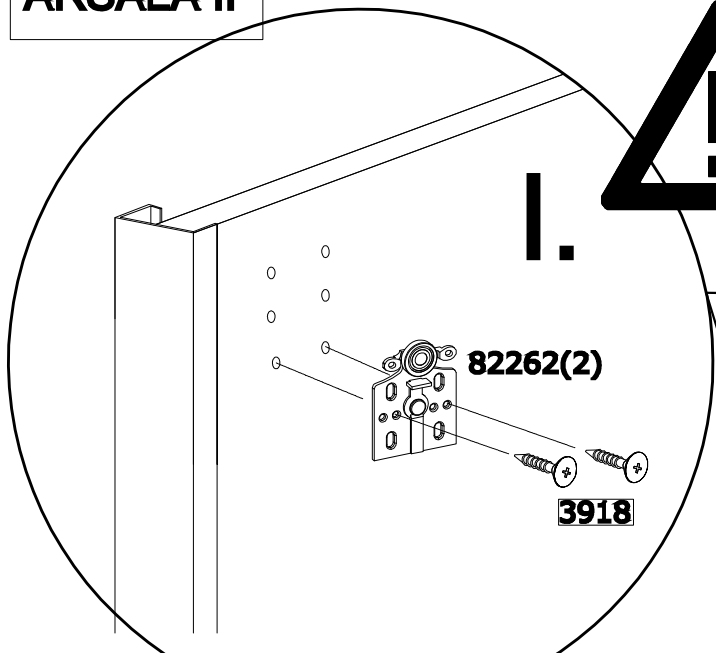
82262-2  
x2

82262(4)  
x2

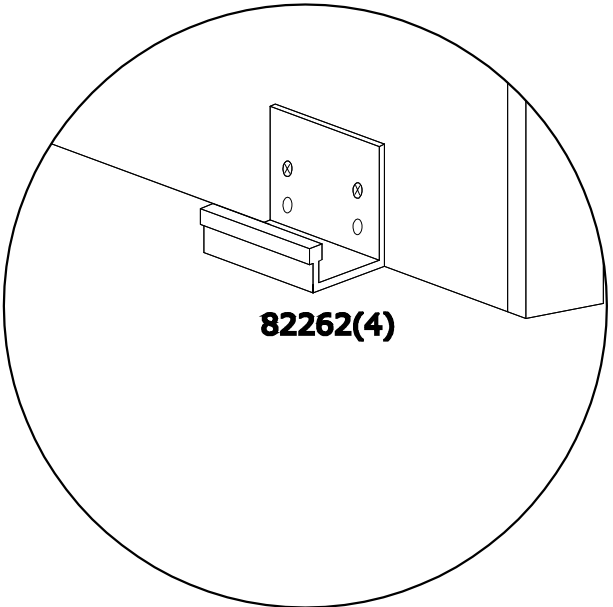
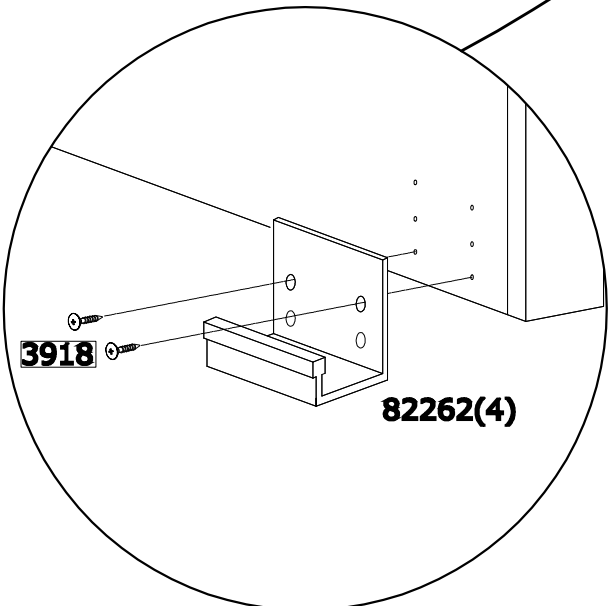
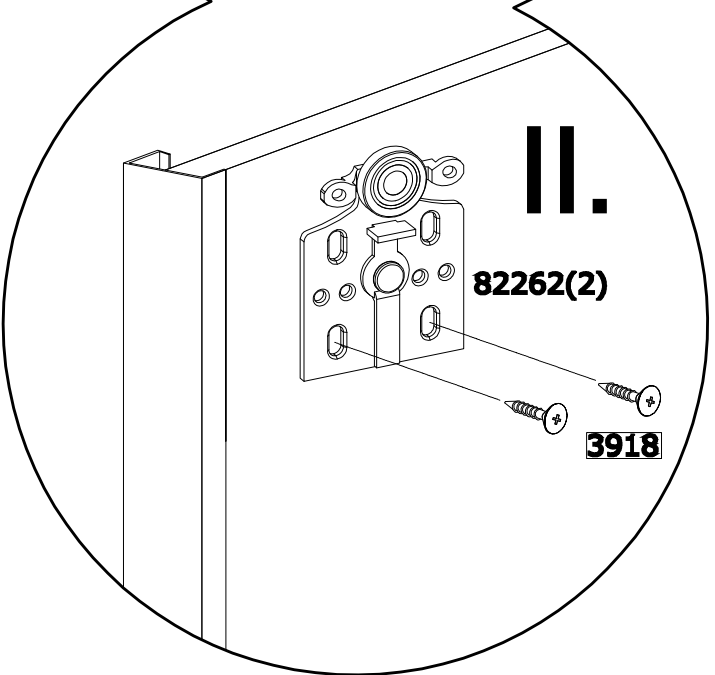
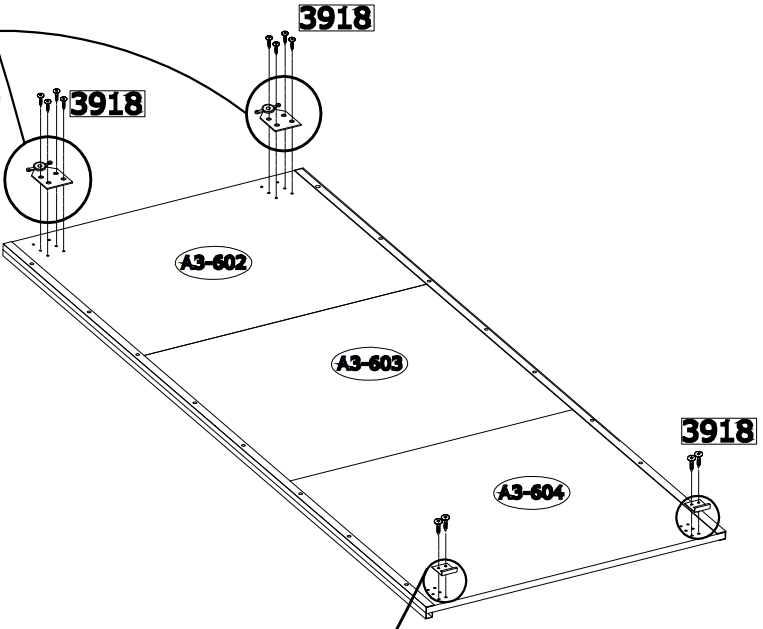
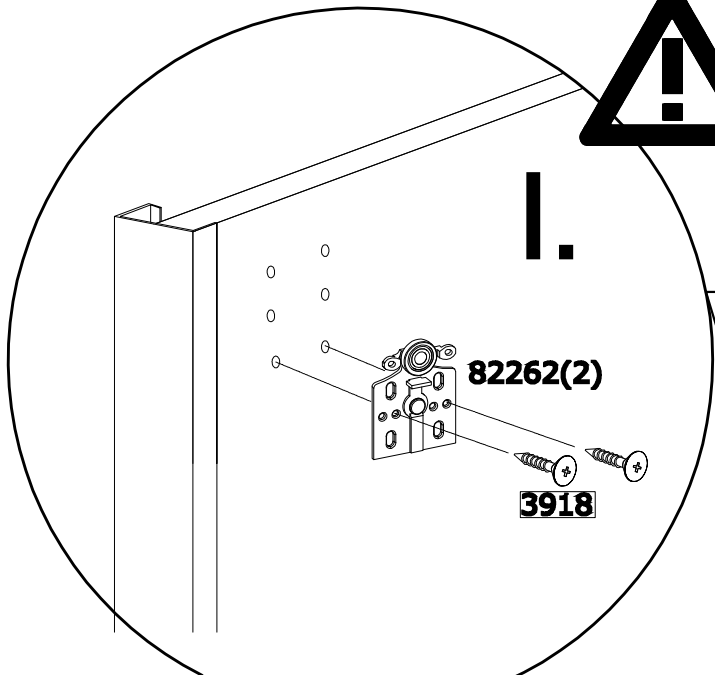
⊕PH2



## ARSALA II



# ARSALA III



# 23.

82262(6)



x1

3918

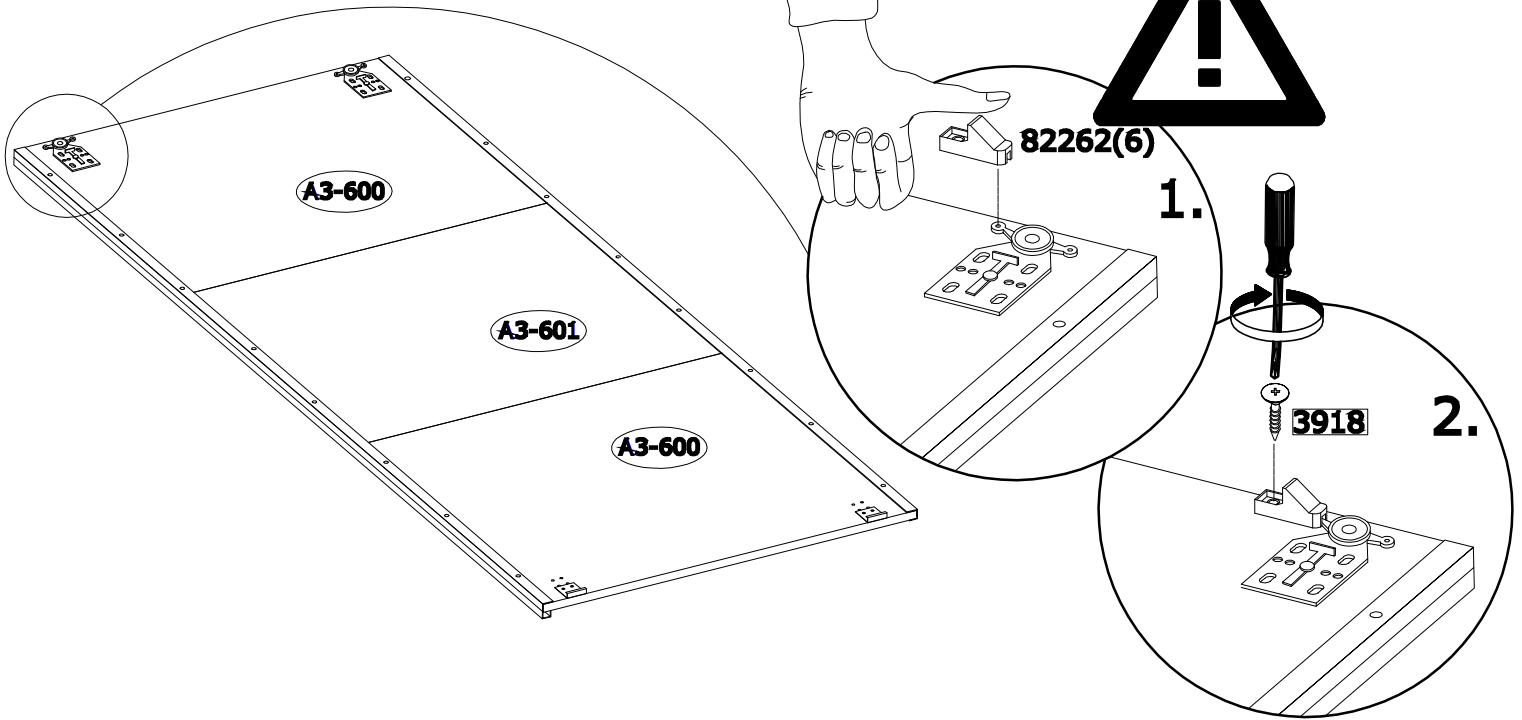


x1

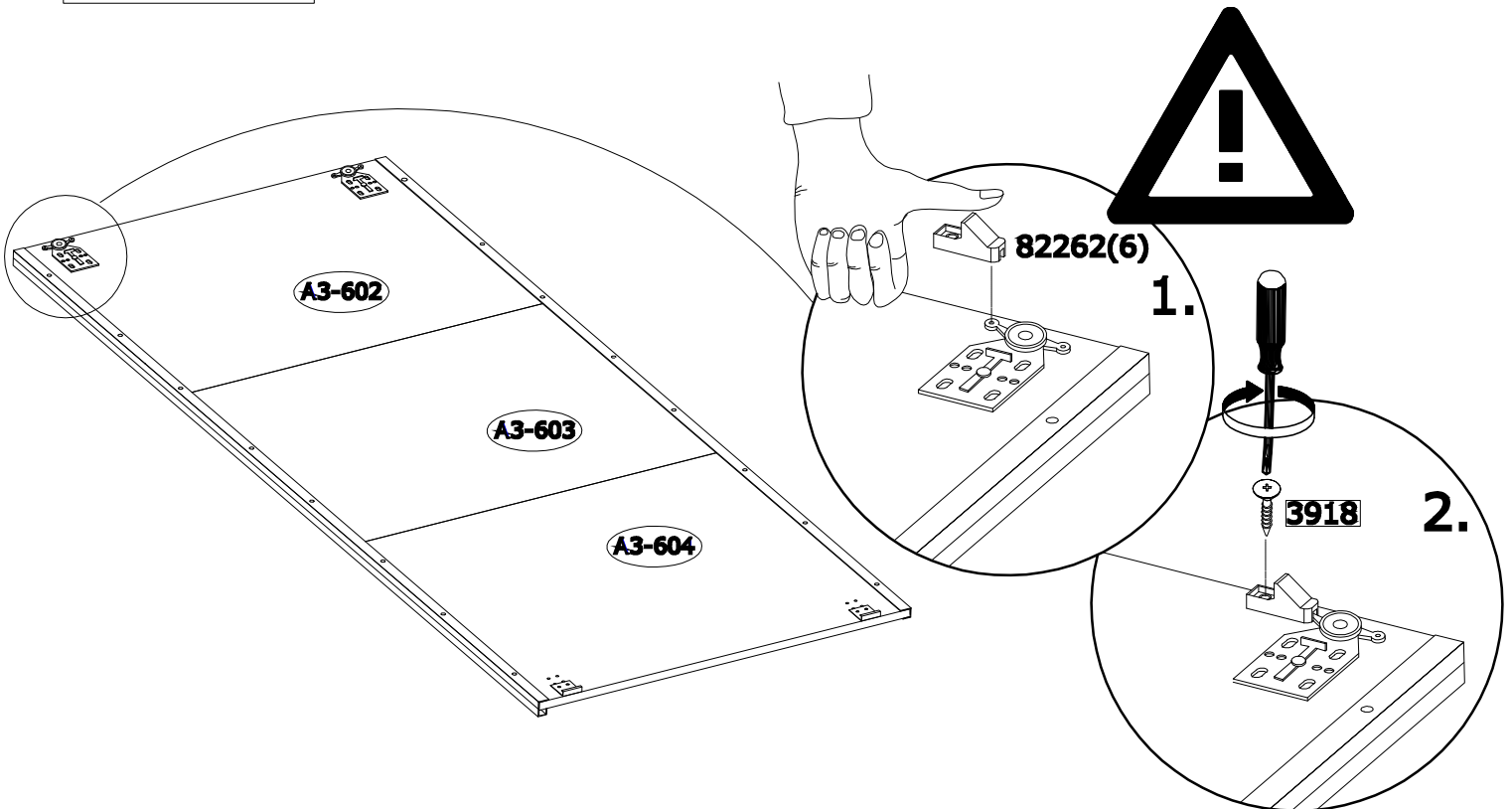
PH2



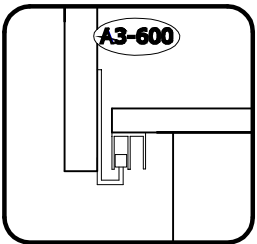
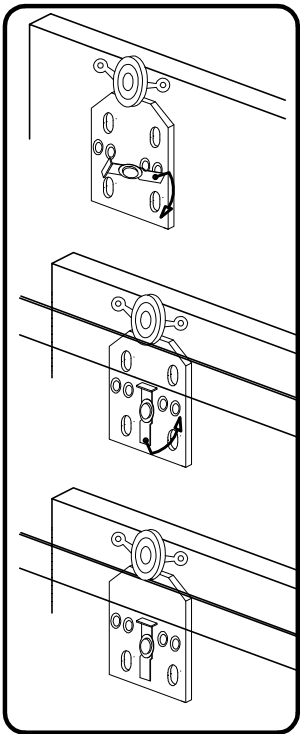
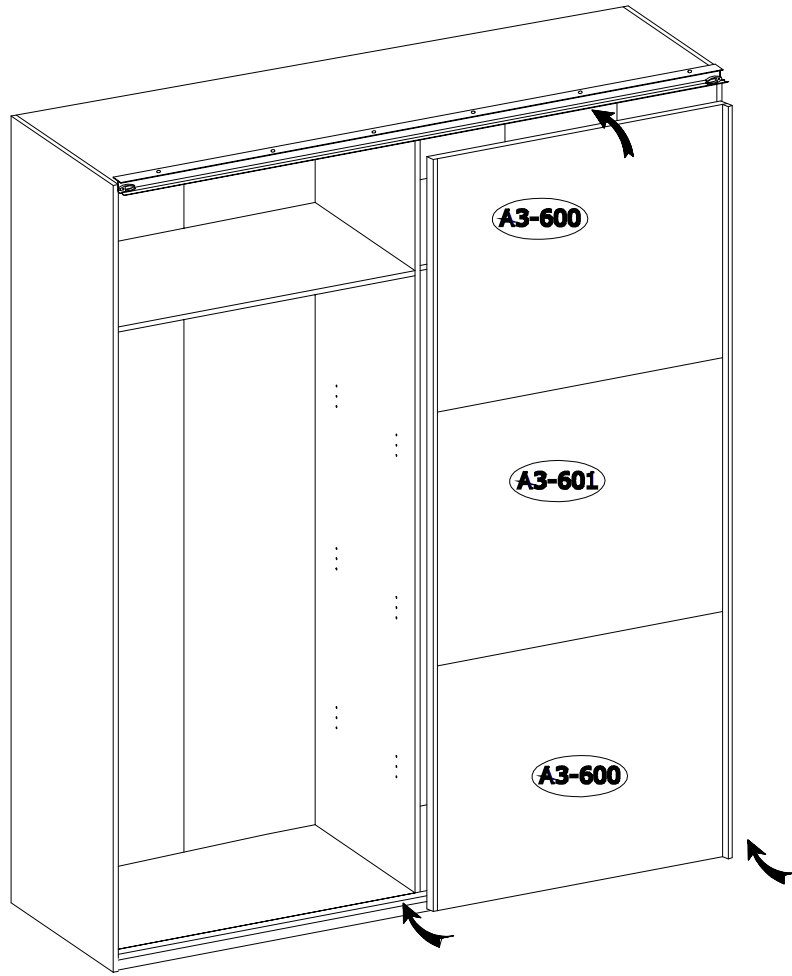
## ARSALA II



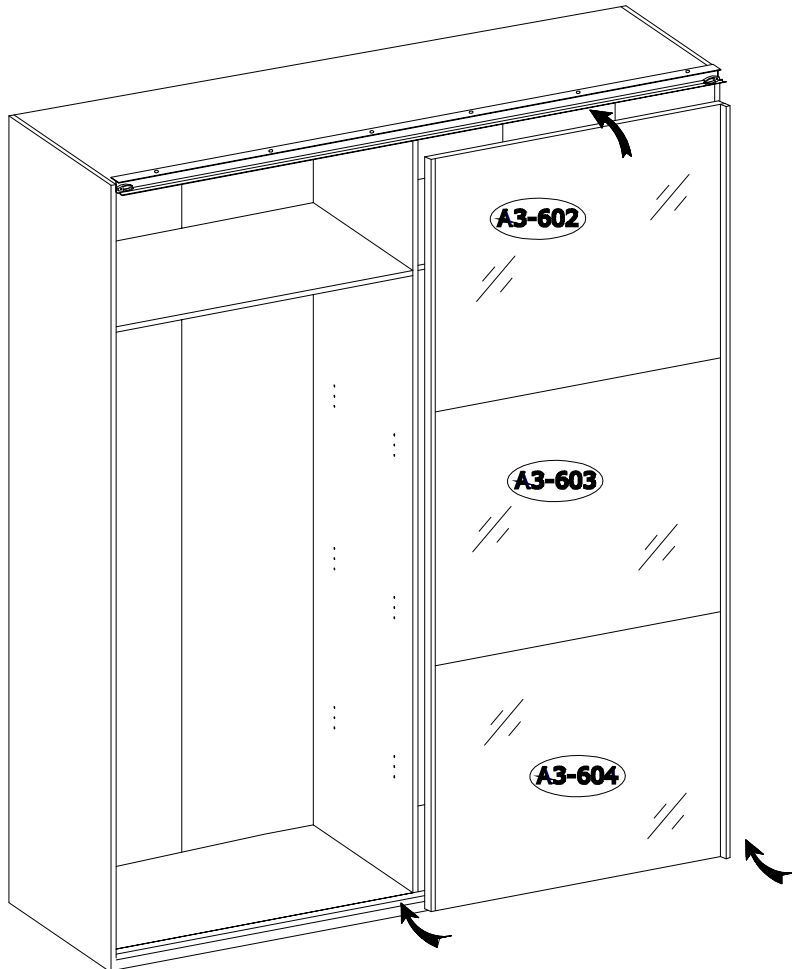
## ARSALA III



## ARSALA II



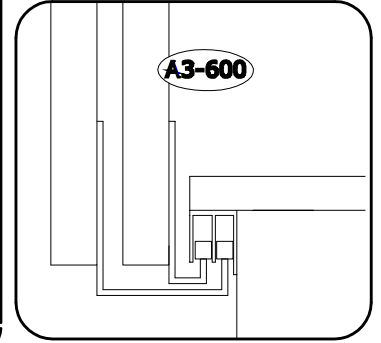
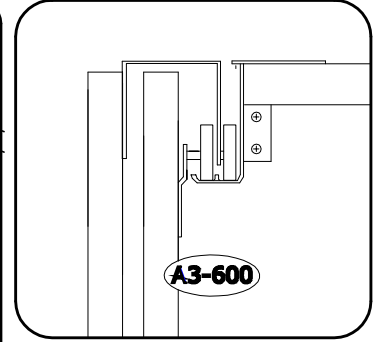
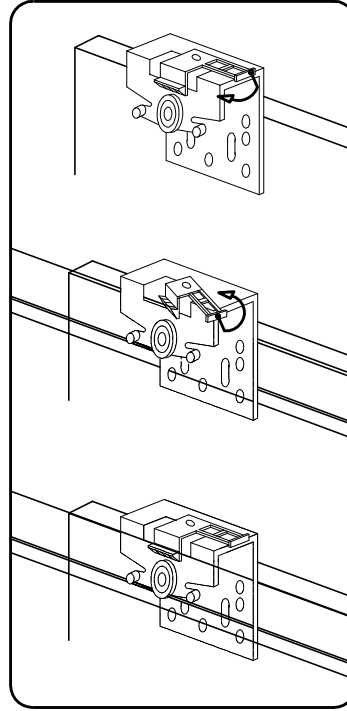
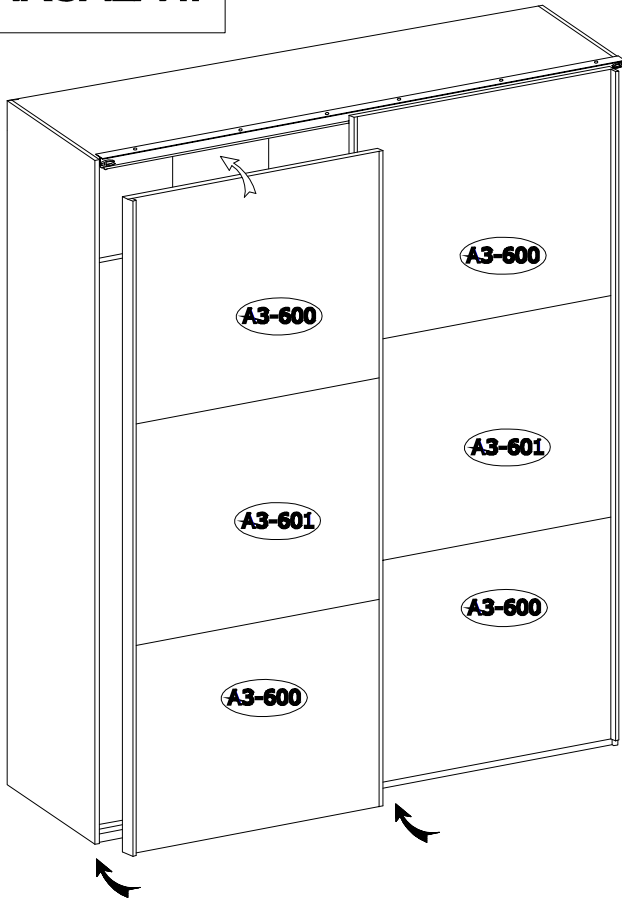
## ARSALA III



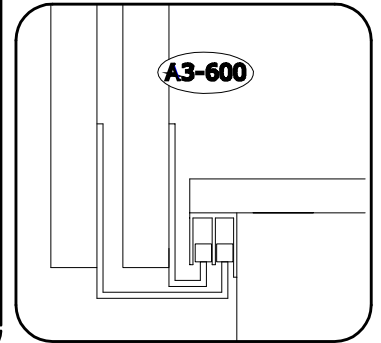
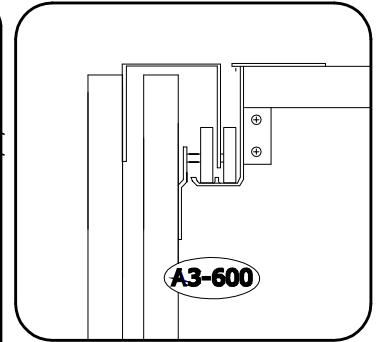
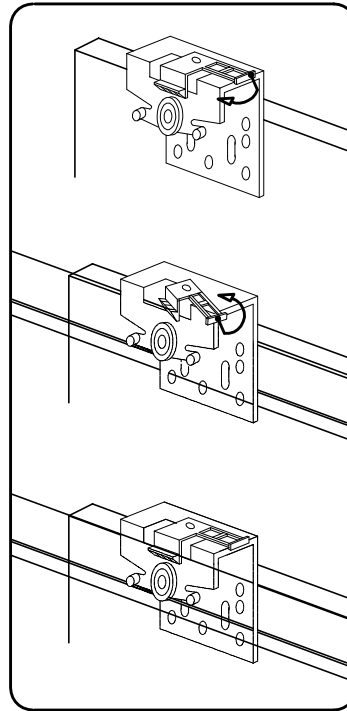
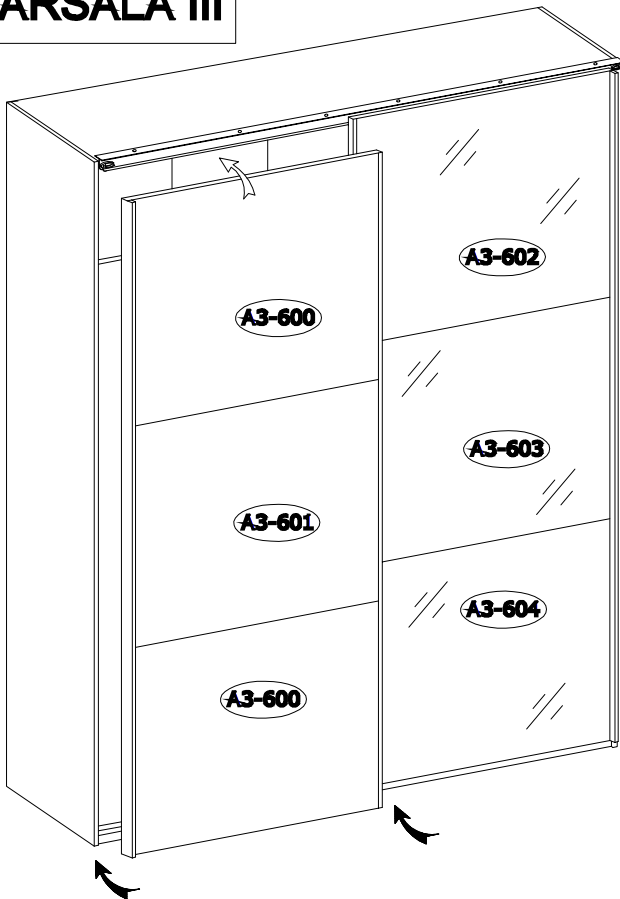


# 25.

## ARSALA II



## ARSALA III



# 26.

<b>71900</b>  x2	<b>3918</b>  x4		<b>PH2</b> 
--	---	--	--

ARSALA II  
ARSALA III

